
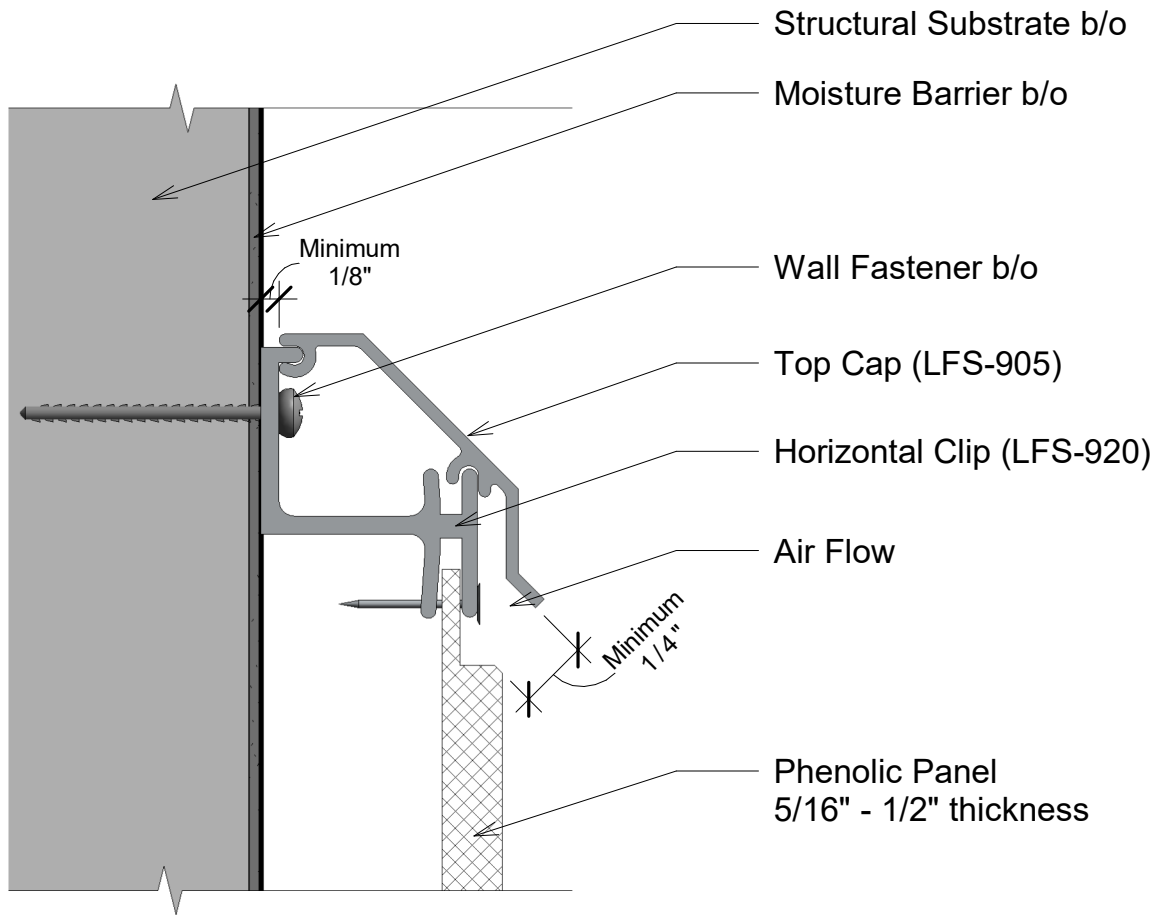
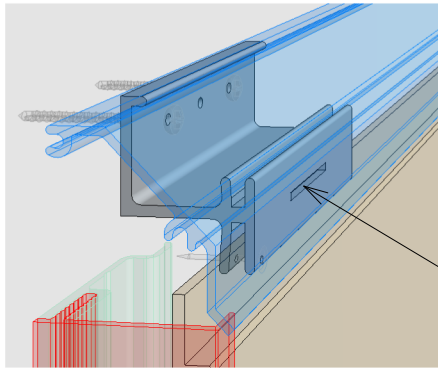


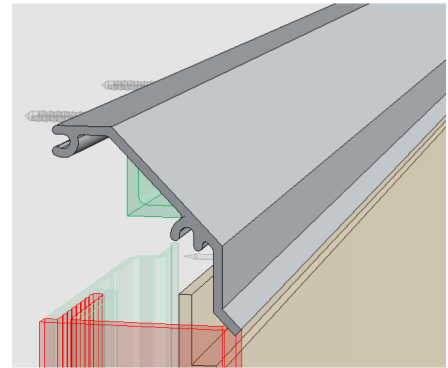
Title:		View:	Date:	 WPS Wall Panel System, Inc. Tel: 877-333-4WPS support@wpsusa.com Web: www.wpsusa.com © 2016 Wall Panel Systems Inc.
Installation Instruction 3-D Model		3D	06/27/22	
Detail:	System Type:	Scale:	Drawn By:	
0	Flush Siding Horizontal System	N/A	WPS, Inc.	




1 Section - A
12" = 1'-0"

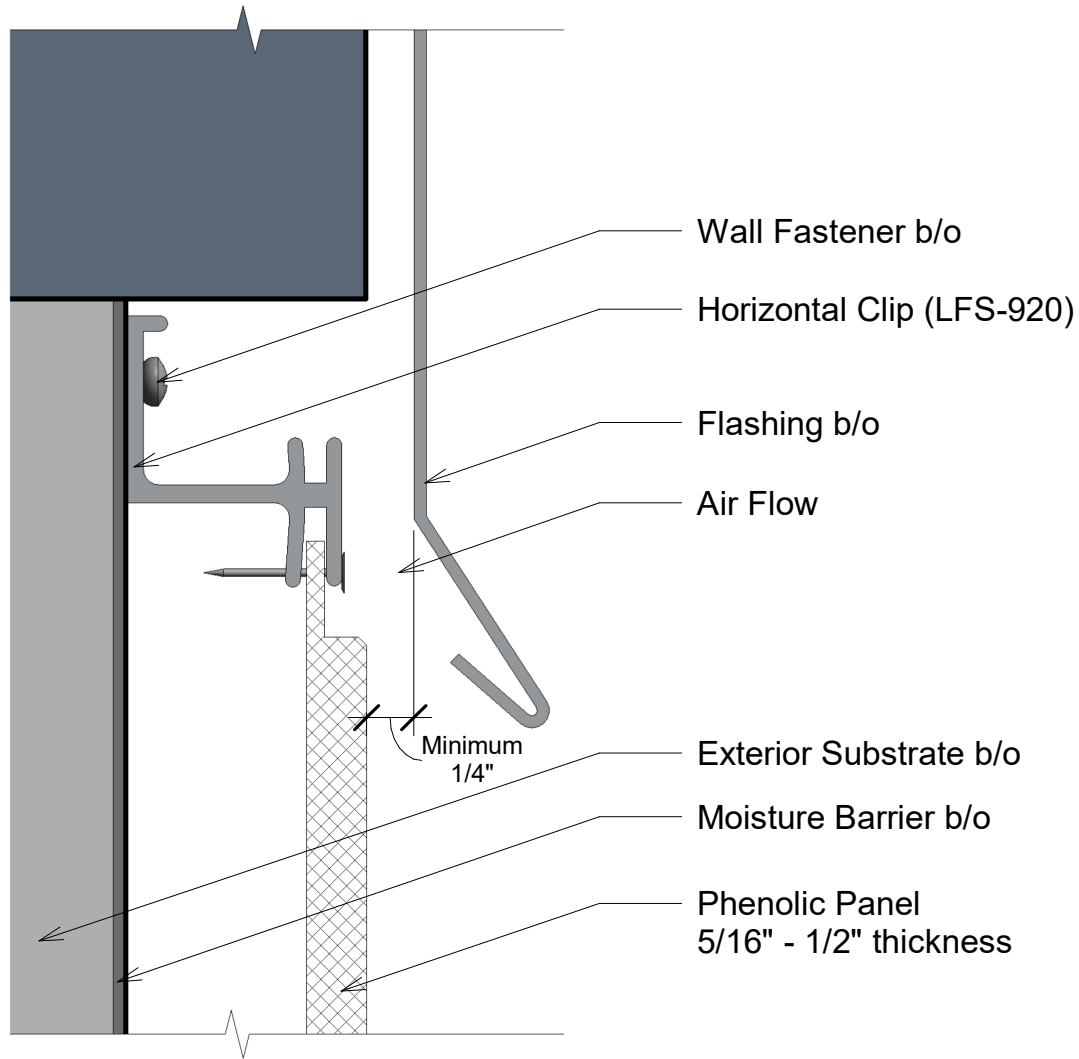


2 LFS 920 (A)
Horizontal Joint Clip

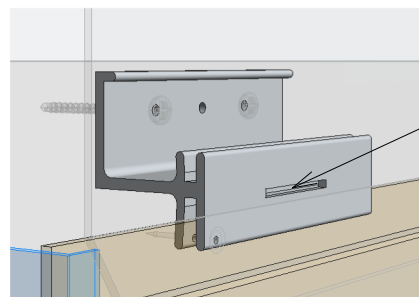


3 LFS 905 (A)
Top Cap


Title: Top Edge		View: Section	Date: 03/18/22	 Wall Panel Systems, Inc. Tel: 877-333-4WPS support@wpsusa.com Web: www.wpsusa.com © 2016 Wall Panel Systems Inc.
Detail: A	System Type: Flush Siding Hor. System	Scale: Full	Draw By: WPS, Inc.	

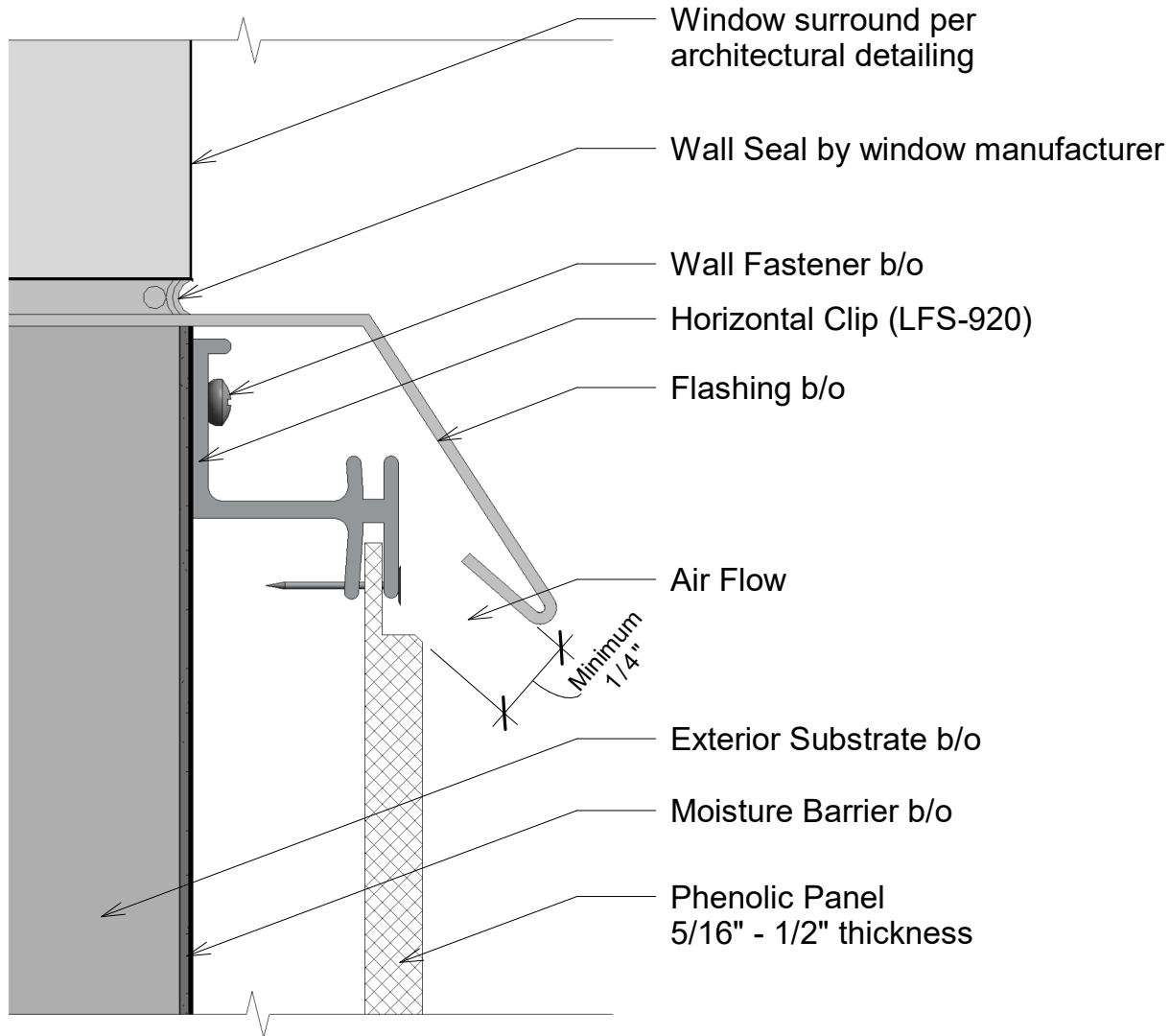


1 Section - A.1
12" = 1'-0"

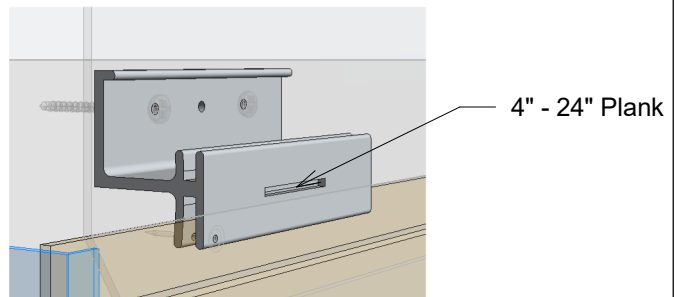


2 LFS 920 (A.1)
Horizontal Joint Clip


Title: Wall Cap Flashing		View: Section	Date: 03/18/22	 Wall Panel Systems, Inc. Tel: 877-333-4WPS support@wpsusa.com Web: www.wpsusa.com © 2016 Wall Panel Systems Inc.
Detail: A.1	System Type: Flush Siding Hor. System	Scale: Full	Draw By: WPS, Inc.	

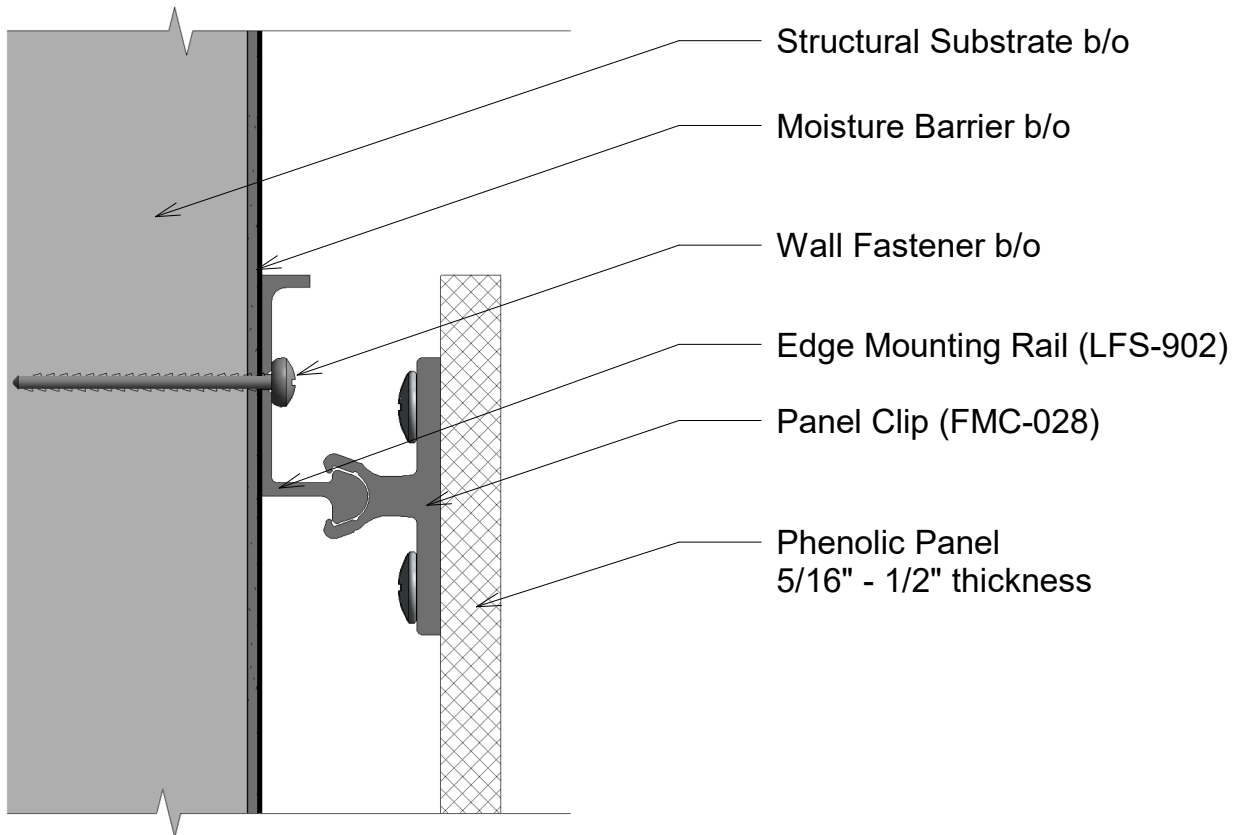


1 Section - A.2
12" = 1'-0"

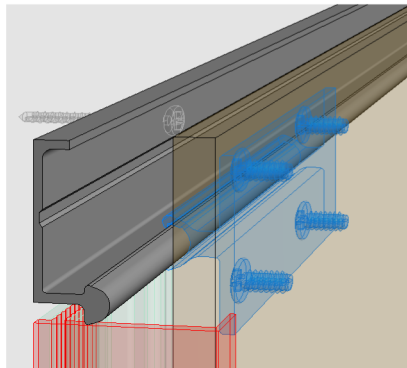


2 LFS 920 (A.2)
Horizontal Joint Clip

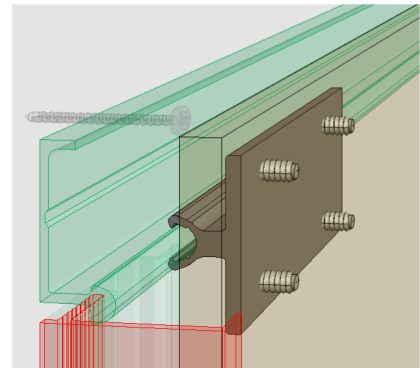
Title: Window Sill Detail		View: Section	Date: 03/18/22	 Wall Panel Systems, Inc. Tel: 877-333-4WPS support@wpsusa.com Web: www.wpsusa.com © 2016 Wall Panel Systems Inc.
Detail: A.2	System Type: Flush Siding Hor. System	Scale: Full	Draw By: WPS, Inc.	




1 Section - A.3
12" = 1'-0"

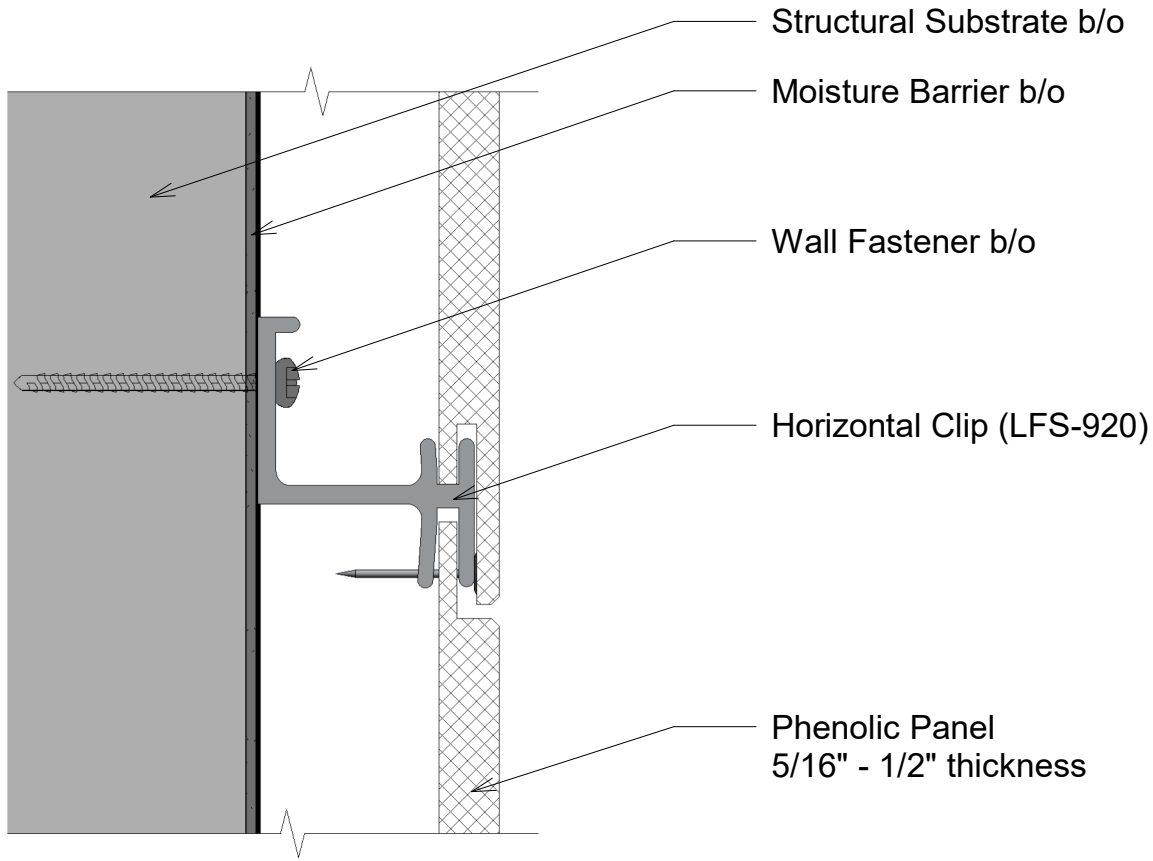


3 LFS 902 (A.3)
Edge Mounting Rail

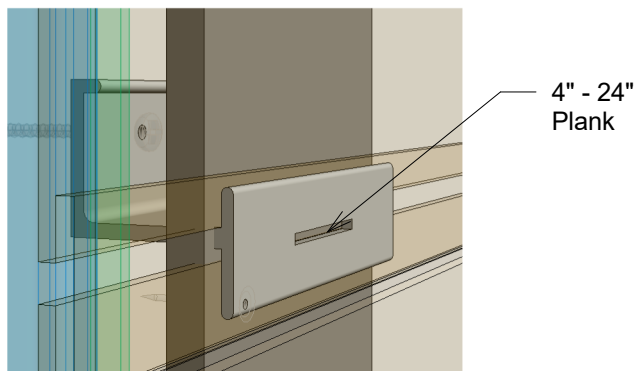


2 FMC-028 (A.3)
Panel Clip


Title: Top Edge		View: Section	Date: 03/18/22	 Wall Panel Systems, Inc. Tel: 877-333-4WPS support@wpsusa.com Web: www.wpsusa.com © 2016 Wall Panel Systems Inc.
Detail: A.3	System Type: Flush Siding Hor. System	Scale: Full	Draw By: WPS, Inc.	

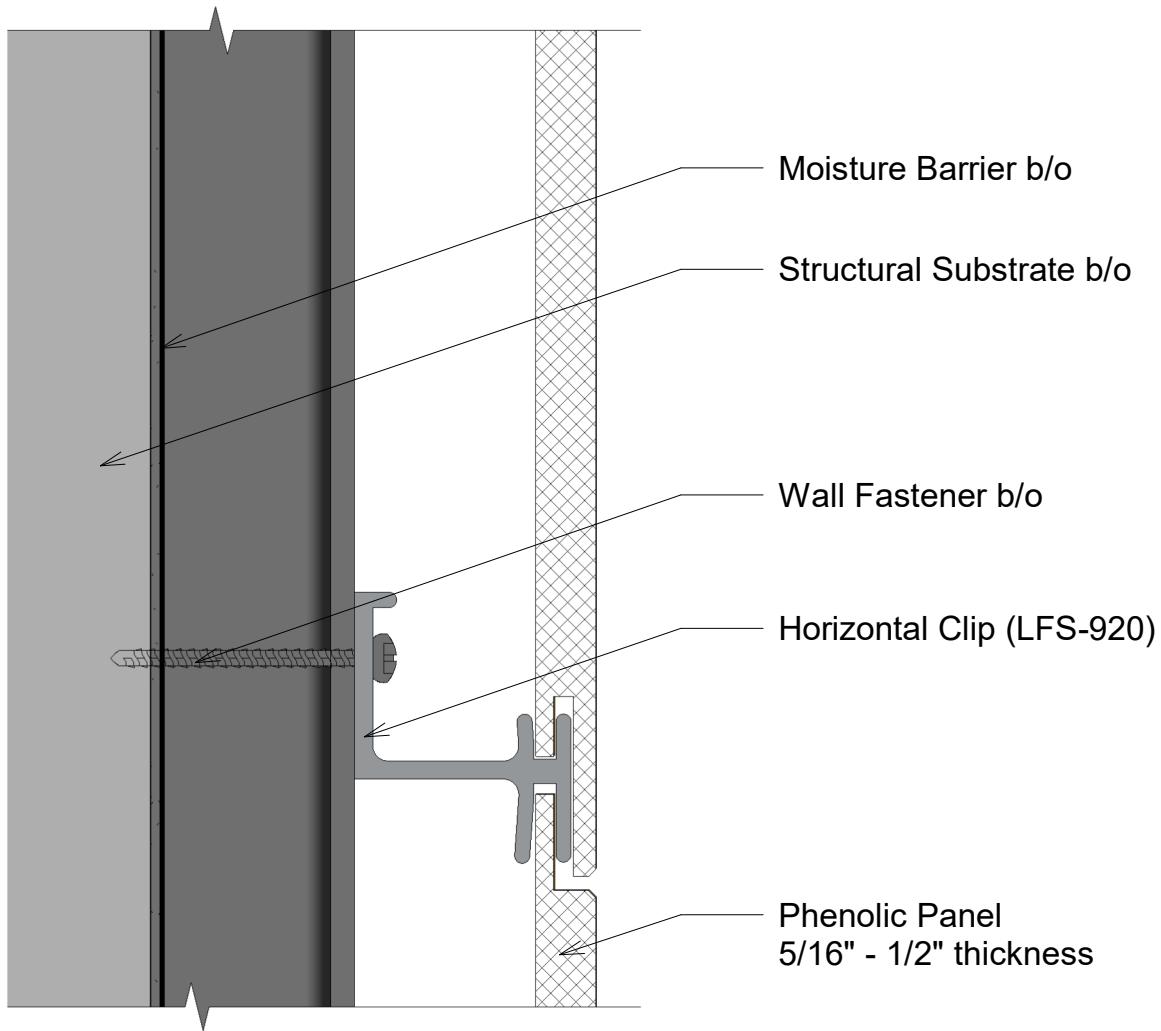


1 Section - B
12" = 1'-0"

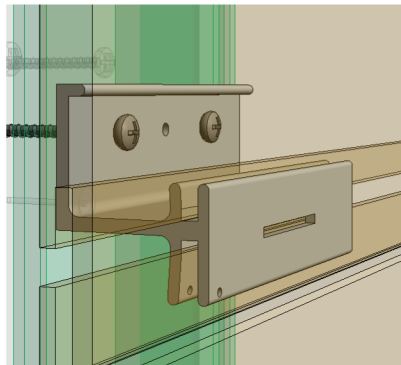


2 LFS 920 (B)
Horizontal Joint Clip

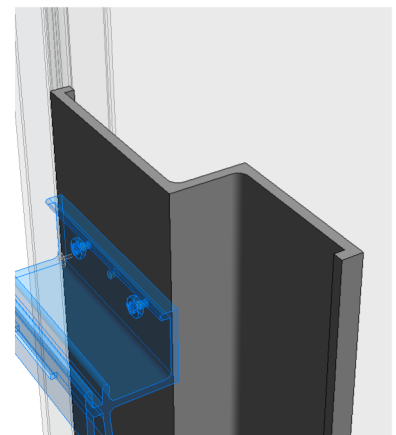
Title: Horizontal Reveal		View: Section	Date: 03/18/22	 Wall Panel Systems, Inc. Tel: 877-333-4WPS support@wpsusa.com Web: www.wpsusa.com © 2016 Wall Panel Systems Inc.
Detail: B	System Type: Flush Siding Hor. System	Scale: Full	Draw By: WPS, Inc.	




1 Section - B.1
12" = 1'-0"

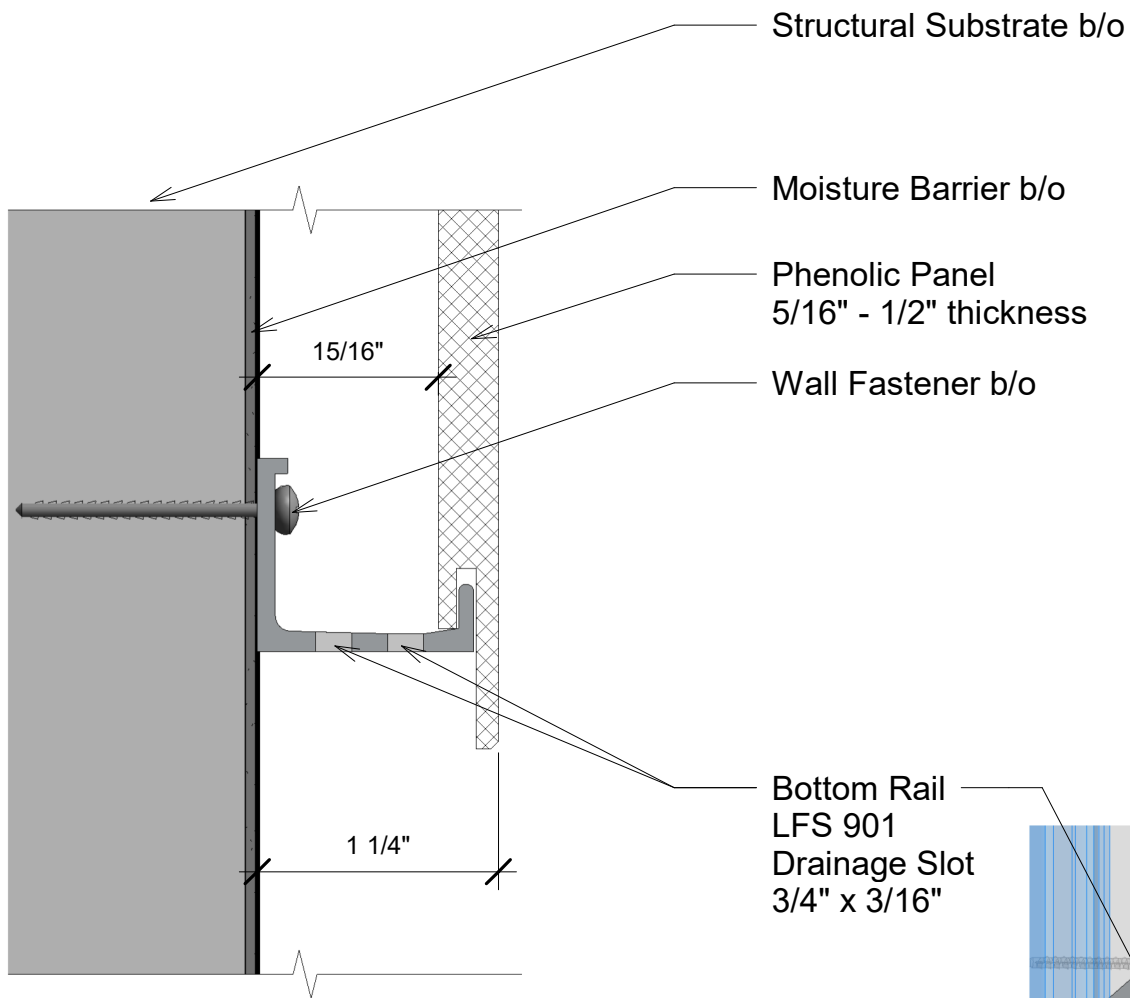


3 LFS 920 (B.1)
Horizontal Joint Clip

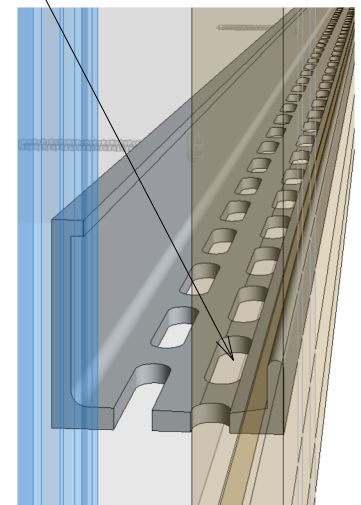


2 LFS 913 (B.1)
Z-Rail


Title: Horizontal Reveal		View: Section	Date: 03/18/22	 Wall Panel Systems, Inc. Tel: 877-333-4WPS support@wpsusa.com Web: www.wpsusa.com © 2016 Wall Panel Systems Inc.
Detail: B.1	System Type: Flush Siding Hor. System	Scale: Full	Draw By: WPS, Inc.	

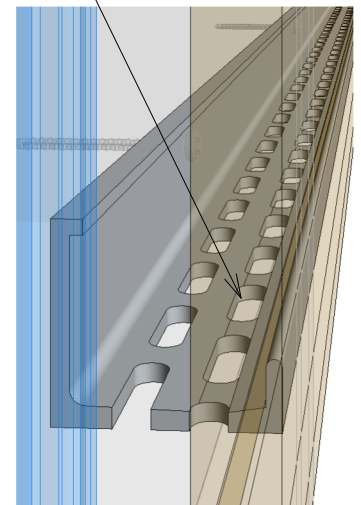
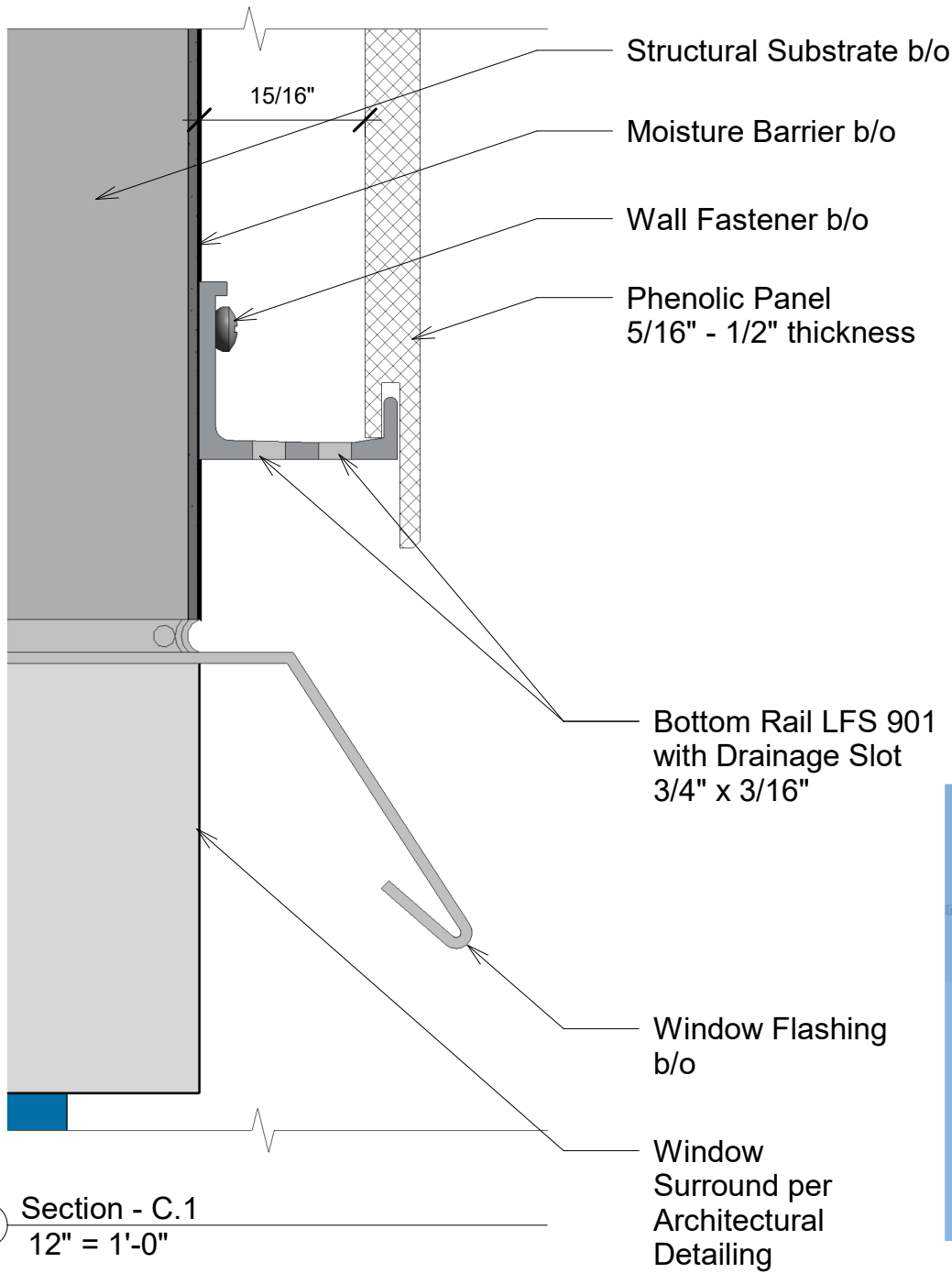


1 Section - C
12" = 1'-0"




2 LFS 901 (C)
Bottom Rail with Drainage Slot

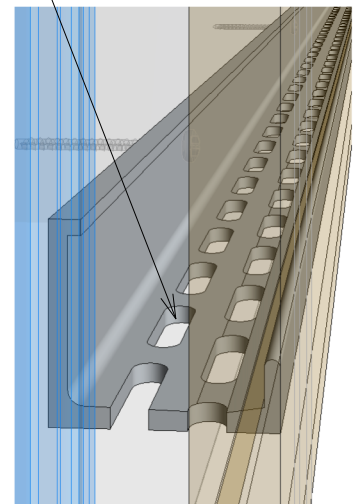
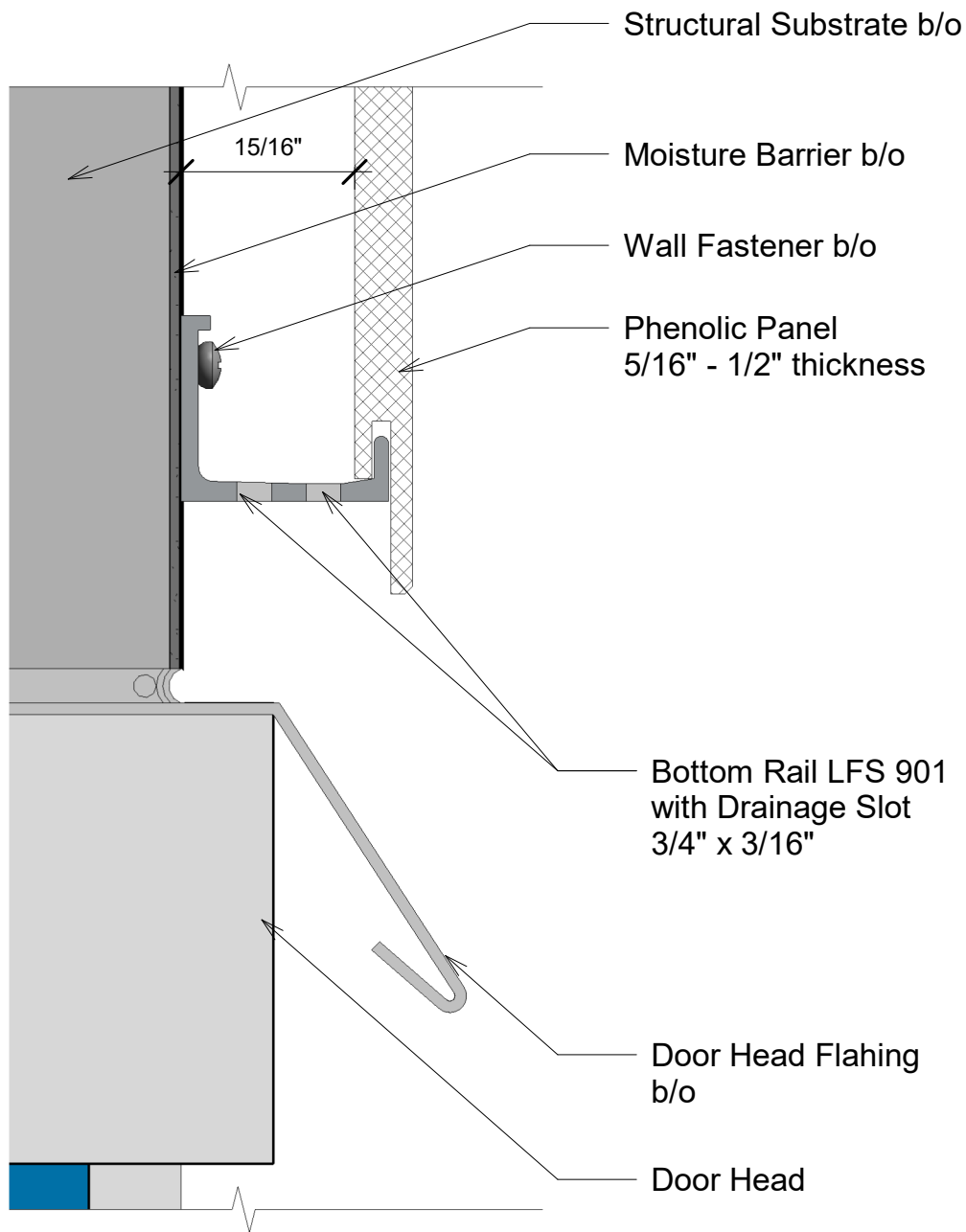
Title: Bottom Edge		View: Section	Date: 03/18/22	 Wall Panel Systems, Inc. Tel: 877-333-4WPS support@wpsusa.com Web: www.wpsusa.com © 2016 Wall Panel Systems Inc.
Detail: C	System Type: Flush Siding Hor. System	Scale: Full	Draw By: WPS, Inc.	



1 Section - C.1
12" = 1'-0"


2 LFS 901 (C.1)
Bottom Rail with Drainage Slot

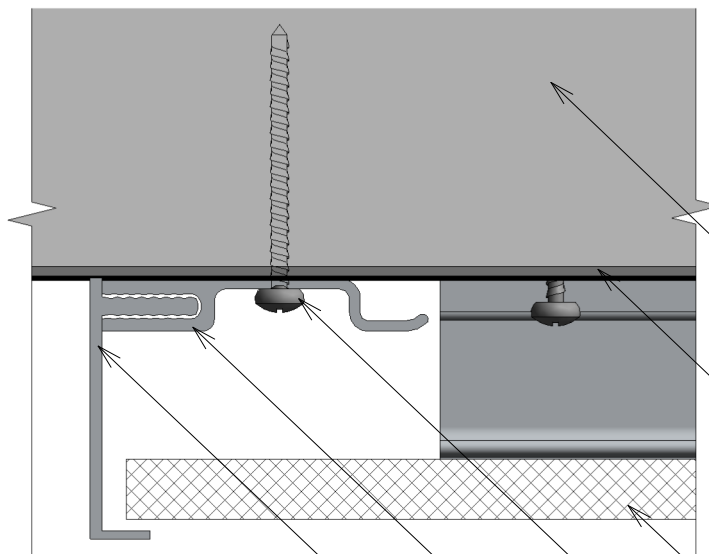
Title: Window Head Detail		View: Section	Date: 03/18/22	 Wall Panel Systems, Inc. Tel: 877-333-4WPS support@wpsusa.com Web: www.wpsusa.com © 2016 Wall Panel Systems Inc.
Detail: C.1	System Type: Flush Siding Hor. System	Scale: Full	Draw By: WPS, Inc.	



1 Section - C.2
12" = 1'-0"

2 LFS 901 (C.2)
Bottom Rail with Drainage Slot

Title: Door Head Detail		View: Section	Date: 03/18/22	 Wall Panel Systems, Inc. Tel: 877-333-4WPS support@wpsusa.com Web: www.wpsusa.com © 2016 Wall Panel Systems Inc.
Detail: C.2	System Type: Flush Siding Hor. System	Scale: Full	Draw By: WPS, Inc.	



① Plan View - D
12" = 1'-0"

Structural Substrate b/o

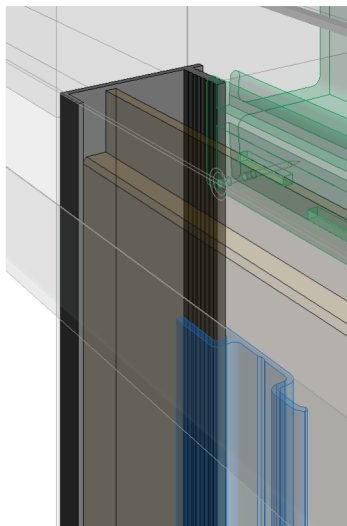
Moisture Barrier b/o

Phenolic Panel
5/16" - 1/2" thickness

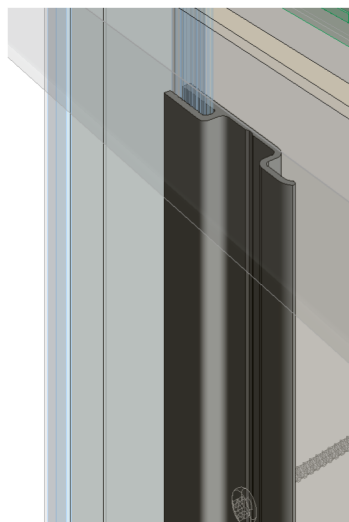
Wall Fastener b/o

Receiver (LPS-320)


Edge Trim (LFS-931)

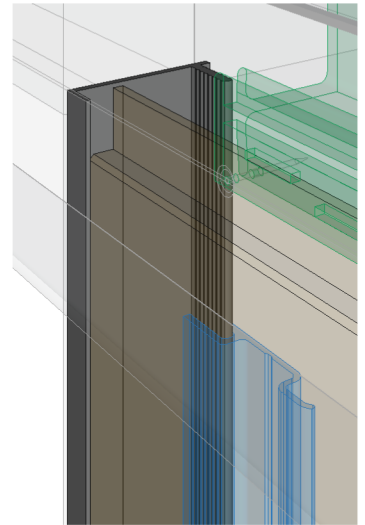
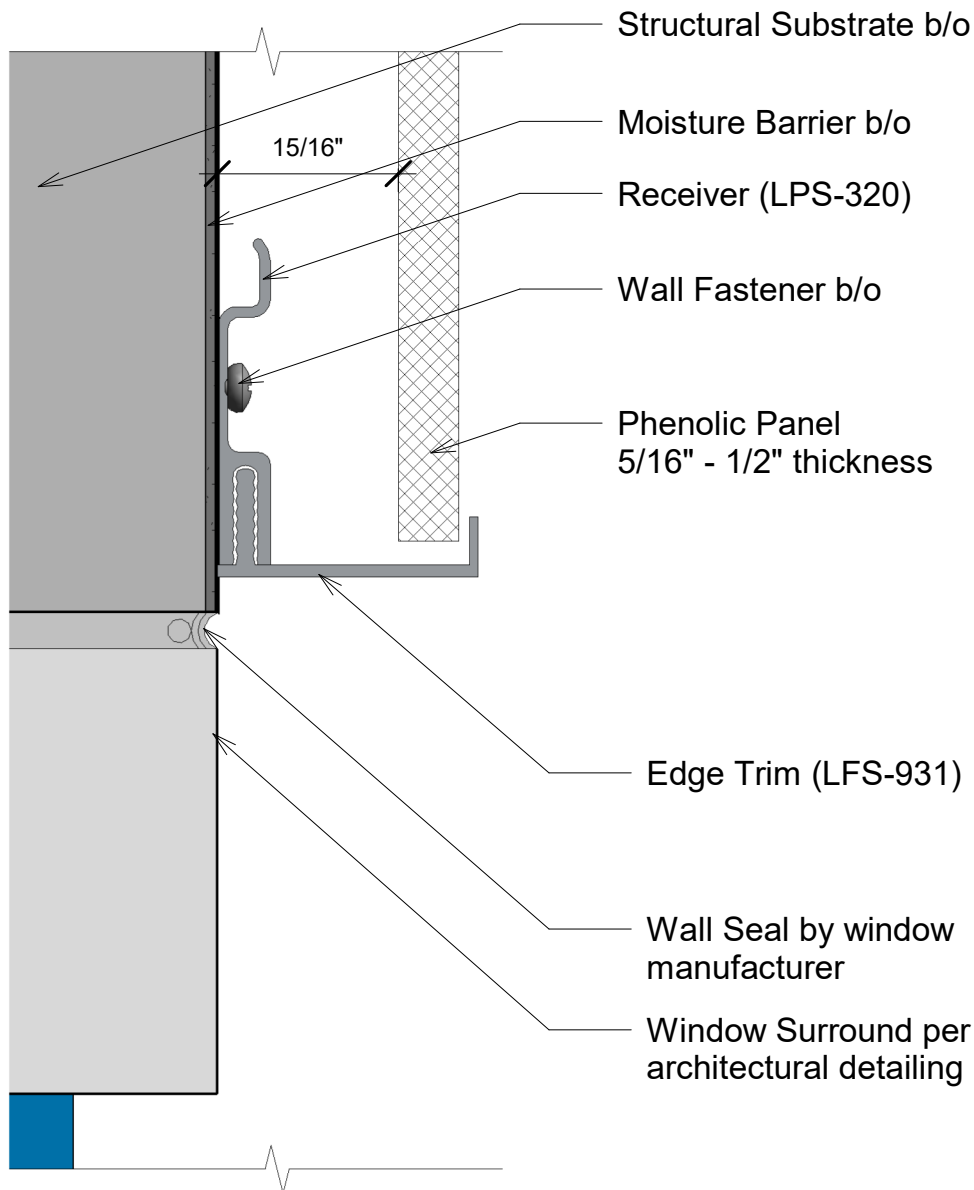


② LFS 931 (D)
Edge Trim

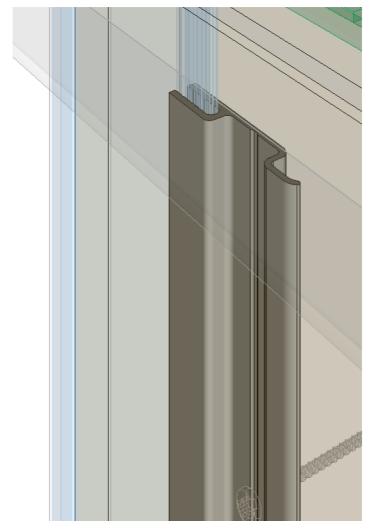


③ LPS 320 (D)
Receiver

Title: Vertical Edge		View: Plan	Date: 03/18/22	 Wall Panel Systems, Inc. Tel: 877-333-4WPS support@wpsusa.com Web: www.wpsusa.com © 2016 Wall Panel Systems Inc.
Detail: D	System Type: Flush Siding Hor. System	Scale: Full	Draw By: WPS, Inc.	




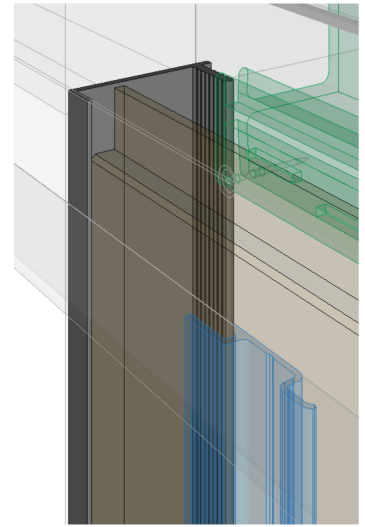
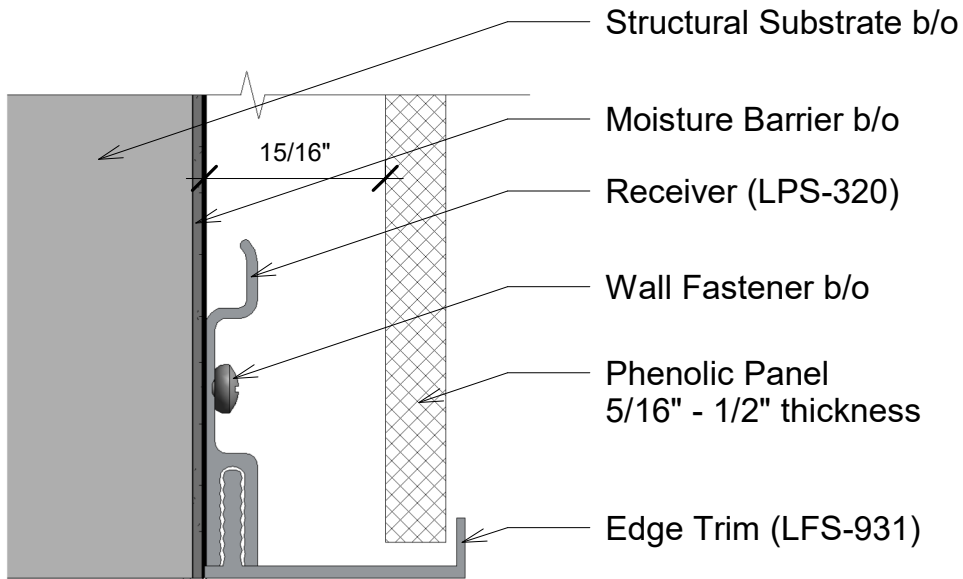
② LFS 931 (D.1)
Edge Trim



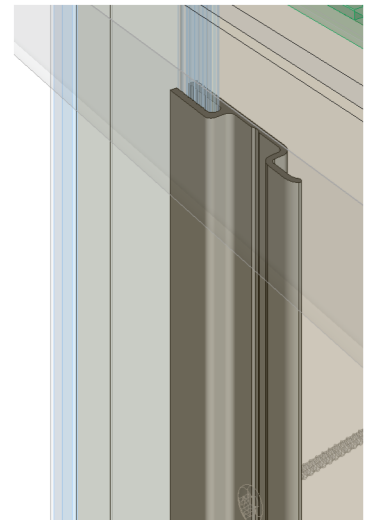
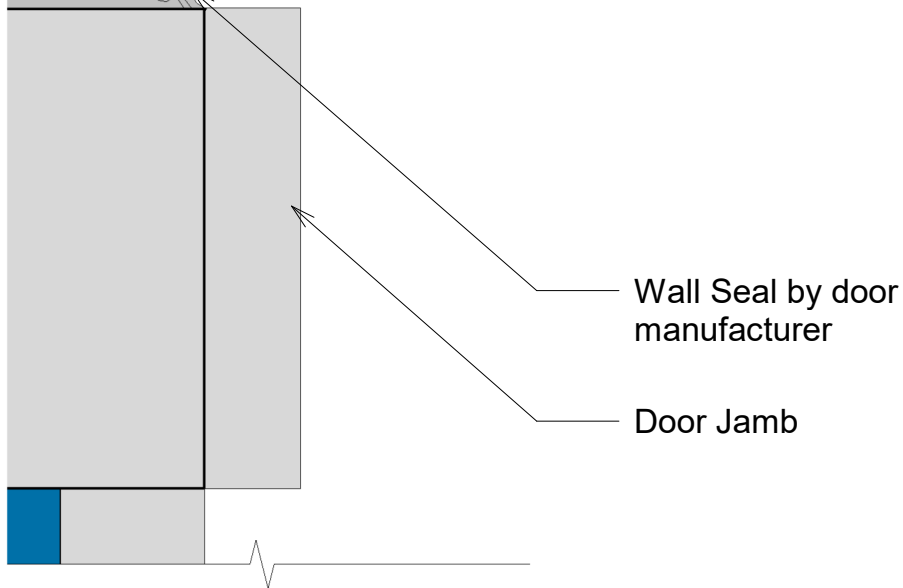
③ LPS 320 (D.1)
Receiver

① Plan View - D.1
12" = 1'-0"

Title: Window Jamb Detail		View: Plan	Date: 03/18/22	 Wall Panel Systems, Inc. Tel: 877-333-4WPS support@wpsusa.com Web: www.wpsusa.com © 2016 Wall Panel Systems Inc.
Detail: D.1	System Type: Flush Siding Hor. System	Scale: Full	Draw By: WPS, Inc.	




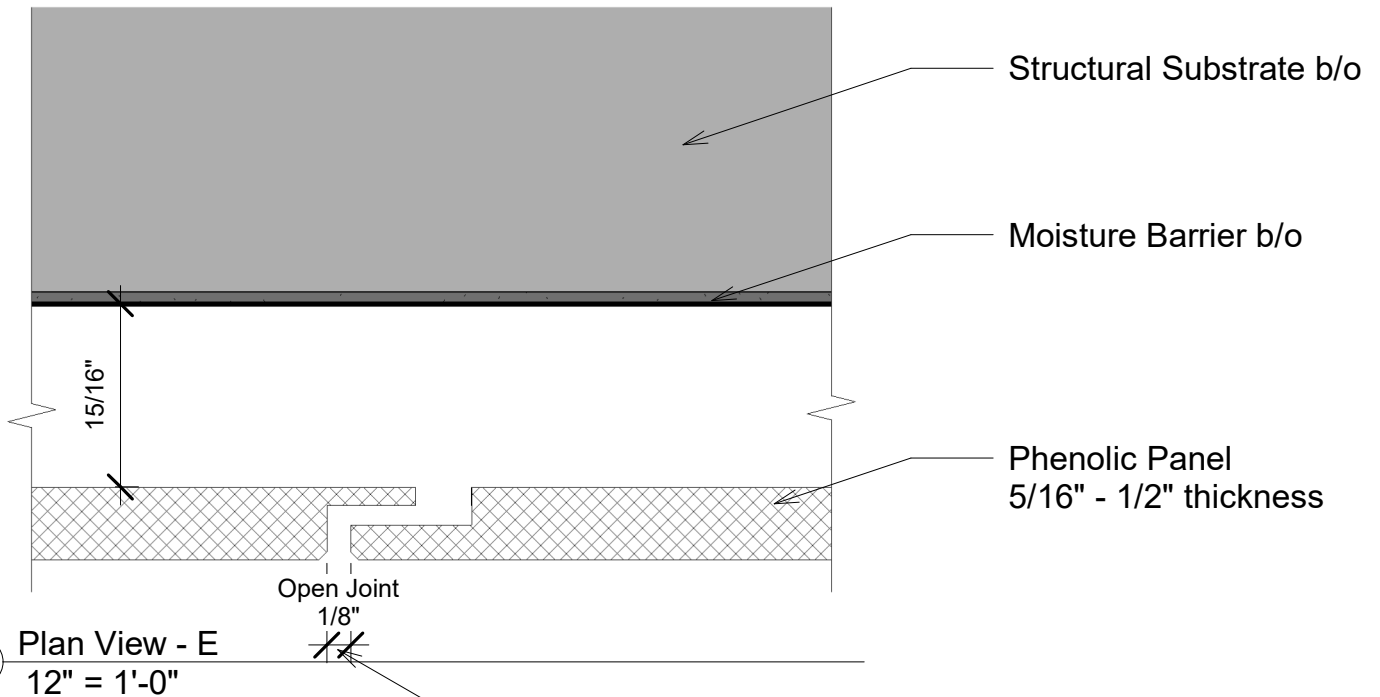
② LFS 931 (D.2)
Edge Trim




③ LPS 320 (D.2)
Receiver

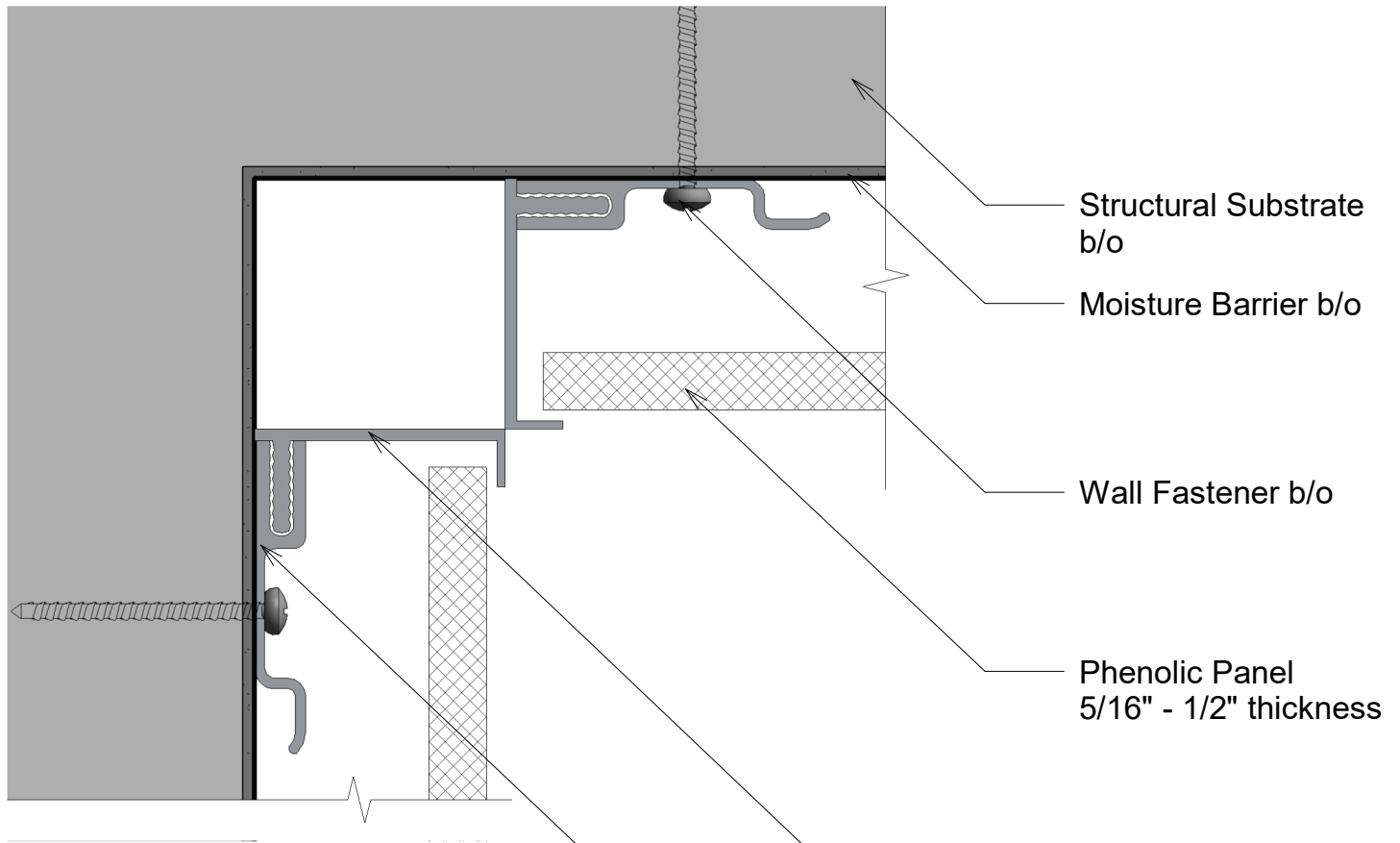
① Plan View - D.2
12" = 1'-0"

Title: Door Jamb Detail		View: Plan	Date: 03/18/22	 Wall Panel Systems, Inc. Tel: 877-333-4WPS support@wpsusa.com Web: www.wpsusa.com © 2016 Wall Panel Systems Inc.
Detail: D.2	System Type: Flush Siding Hor. System	Scale: Full	Draw By: WPS, Inc.	

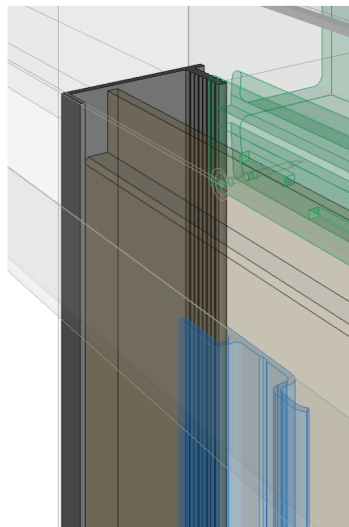


Note: Vertical Joint required for up to 4' - 6' plank 1/8", 6' - 10' plank 1/4" and 10' - 12' plank 5/16"

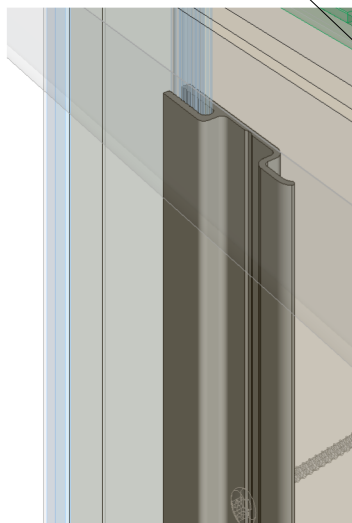
Title: Vertical Reveal		View: Plan	Date: 03/18/22	 Wall Panel Systems, Inc. Tel: 877-333-4WPS support@wpsusa.com Web: www.pwsusa.com © 2016 Wall Panel Systems Inc.
Detail: E	System Type: Flush Siding Hor. System	Scale: Full	Draw By: WPS, Inc.	



① Plan View - G
12" = 1'-0"




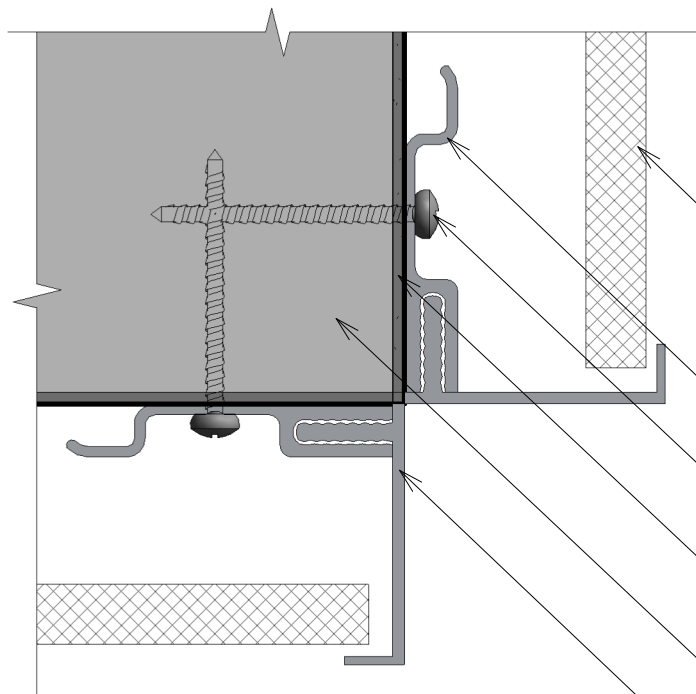
② LFS 931 (G)
Edge Trim



③ LPS 320 (G)
Receiver

Edge Trim (LFS-931)
Receiver (LPS-320)

Title: Inside Corner		View: Plan	Date: 03/18/22	 Wall Panel Systems, Inc. Tel: 877-333-4WPS support@wpsusa.com Web: www.wpsusa.com © 2016 Wall Panel Systems Inc.
Detail: G	System Type: Flush Siding Hor. System	Scale: Full	Draw By: WPS, Inc.	



Phenolic Panel
5/16" - 1/2" thickness

Receiver (LPS-320)

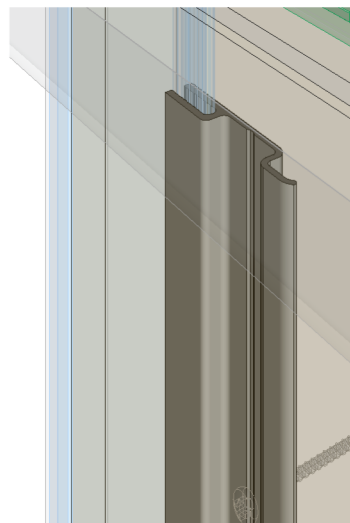
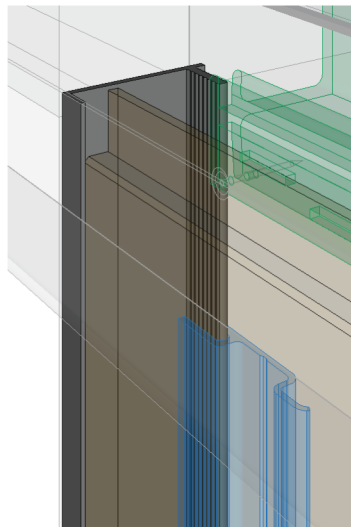
Wall Fastener b/o

Moisture Barrier b/o

Structural Substrate b/o


Edge Trim (LFS-931)

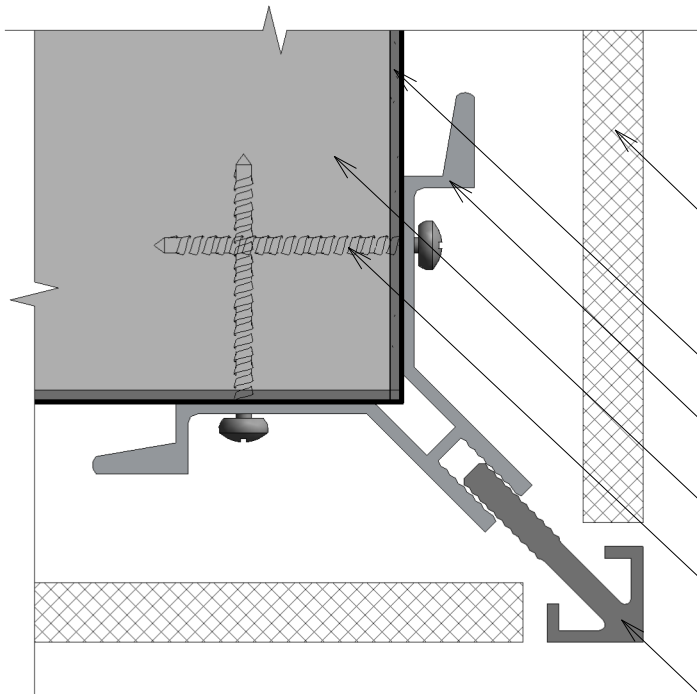
1 Plan View - H
12" = 1'-0"



2 LFS 931 (H)
Edge Trim

3 LPS 320 (H)
Receiver

Title: Outside Corner		View: Plan	Date: 03/18/22	 Wall Panel Systems, Inc. Tel: 877-333-4WPS support@wpsusa.com Web: www.wpsusa.com © 2016 Wall Panel Systems Inc.
Detail: H	System Type: Flush Siding Hor. System	Scale: Full	Draw By: WPS, Inc.	



Phenolic Panel
5/16" - 1/2" thickness

Moisture Barrier b/o

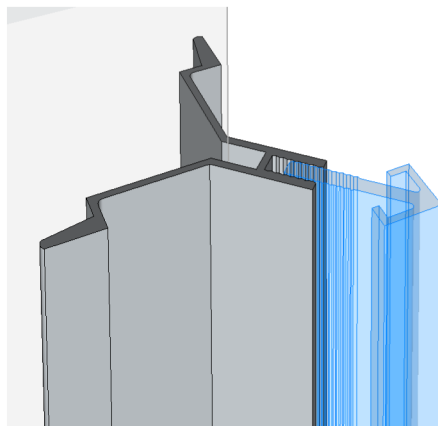
Receiver (ORS-133)

Structural Substrate b/o

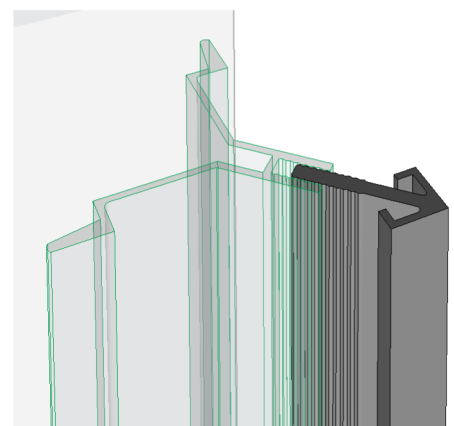
Wall Fastener b/o

Edge Trim (LFS-935)


1 Plan View - H.1
12" = 1'-0"

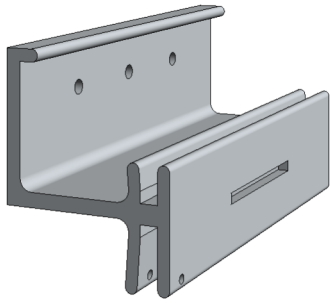


3 ORS-133 (H.1)
Receiver

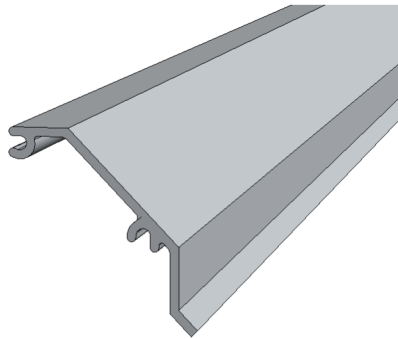


2 LFS-935 (H.1)
Edge Trim

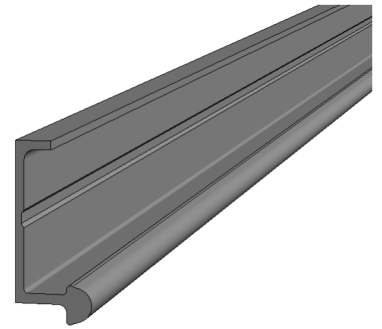
Title: Outside Corner		View: Plan	Date: 03/18/22	 Wall Panel Systems, Inc. Tel: 877-333-4WPS support@wpsusa.com Web: www.wpsusa.com © 2016 Wall Panel Systems Inc.
Detail: H.1	System Type: Flush Siding Hor. System	Scale: Full	Draw By: WPS, Inc.	



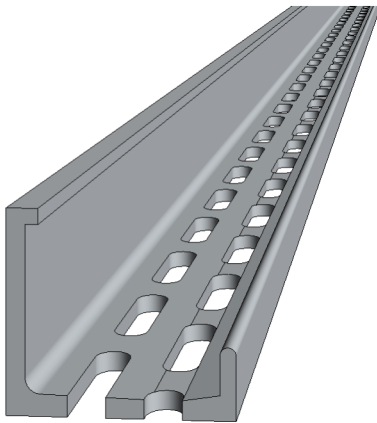
1 LFS 920 (U)
Horizontal Joint Clip



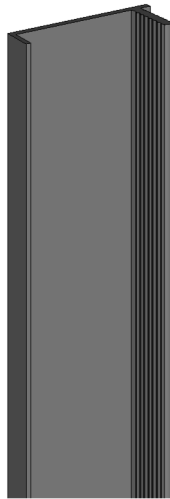
2 LFS 905 (U)
Top Cap



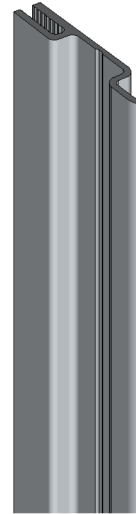
3 LFS 902 (U)
Top Cap



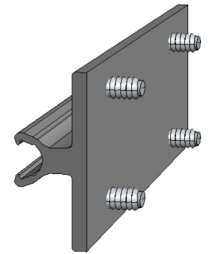
4 LFS 901 (U)
Bottom Rail with Drainage Slot



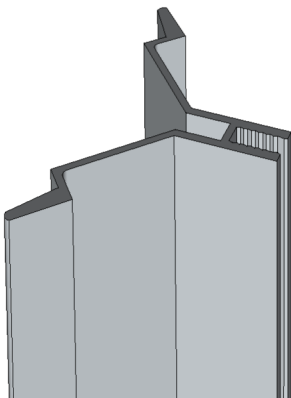
5 LFS 931 (U)
Edge Trim



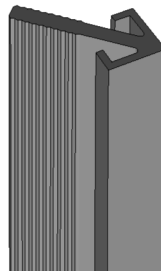
6 LPS 320 (U)
Receiver



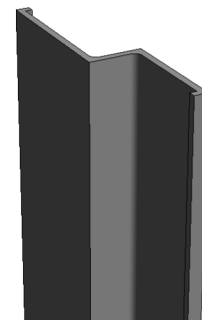
7 FMC-028 (U)
Receiver




9 ORS-133 (U)
Receiver



10 LFS-935 (U)
Edge Trim



8 LFS 913 (U)
Z-Rail

Title: Parts List		View: 3D	Date: 03/18/22	 Wall Panel Systems, Inc. Tel: 877-333-4WPS support@wpsusa.com Web: www.pwsusa.com © 2016 Wall Panel Systems Inc.
Detail: U	System Type: Flush Siding Hor. System	Scale: N/A	Draw By: WPS, Inc.	