
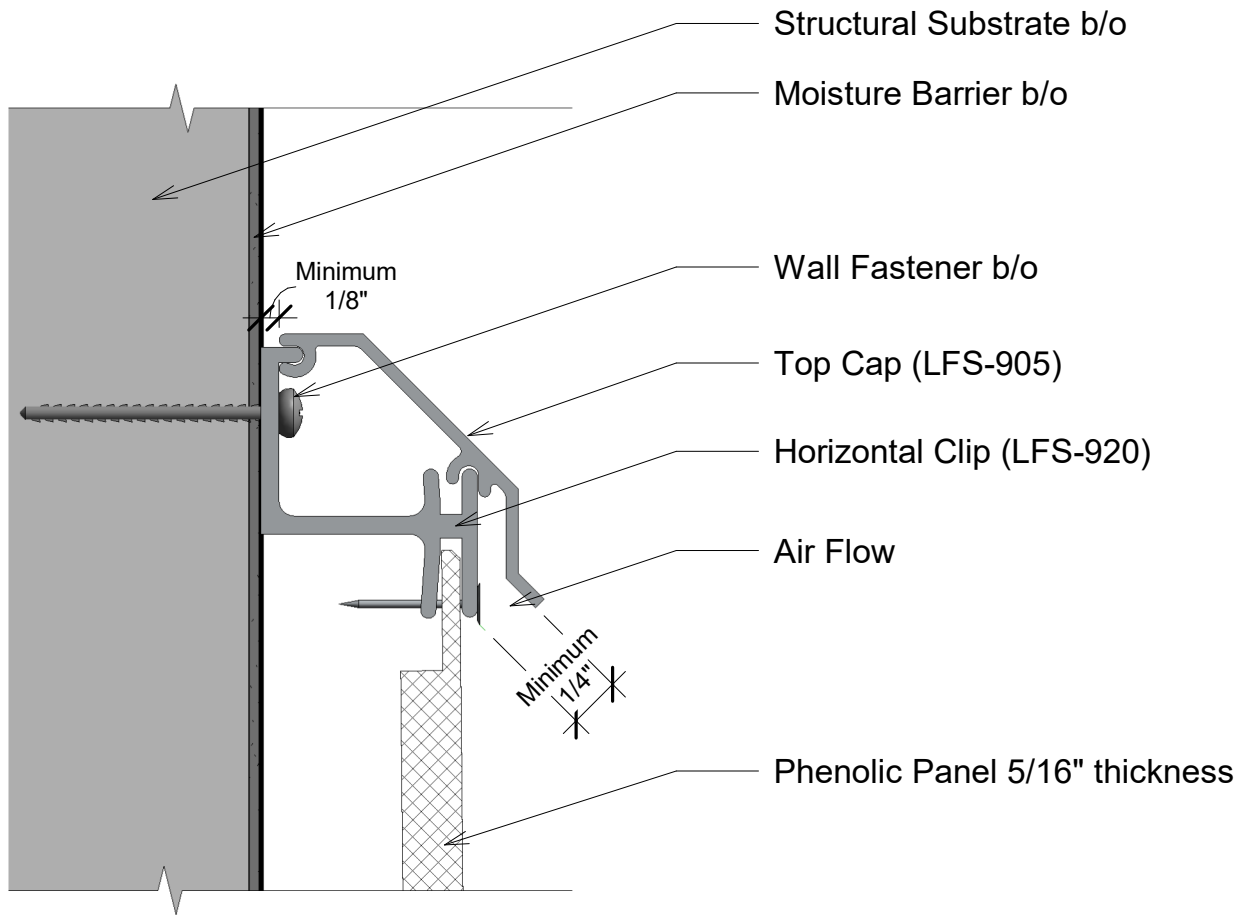
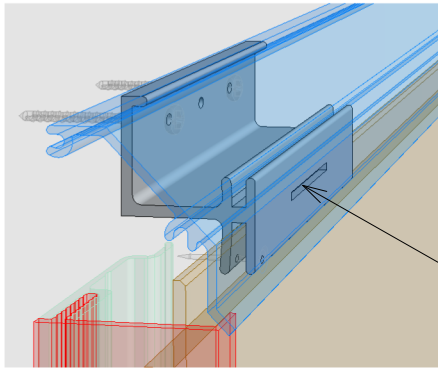


Title:		View:		Date:		 Wall Panel System, Inc. Tel: 877-333-4WPS support@wpsusa.com Web: www.wpsusa.com © 2016 Wall Panel Systems Inc.
Installation Instruction 3-D Model		3D		06/27/22		
Detail:	System Type:	Scale:		Drawn By:		
0	Lap Siding System	N/A		WPS, Inc.		

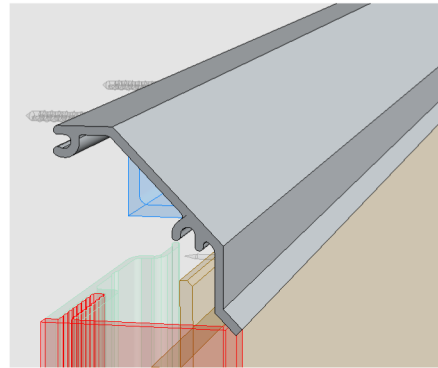


1 Section - A
12" = 1'-0"




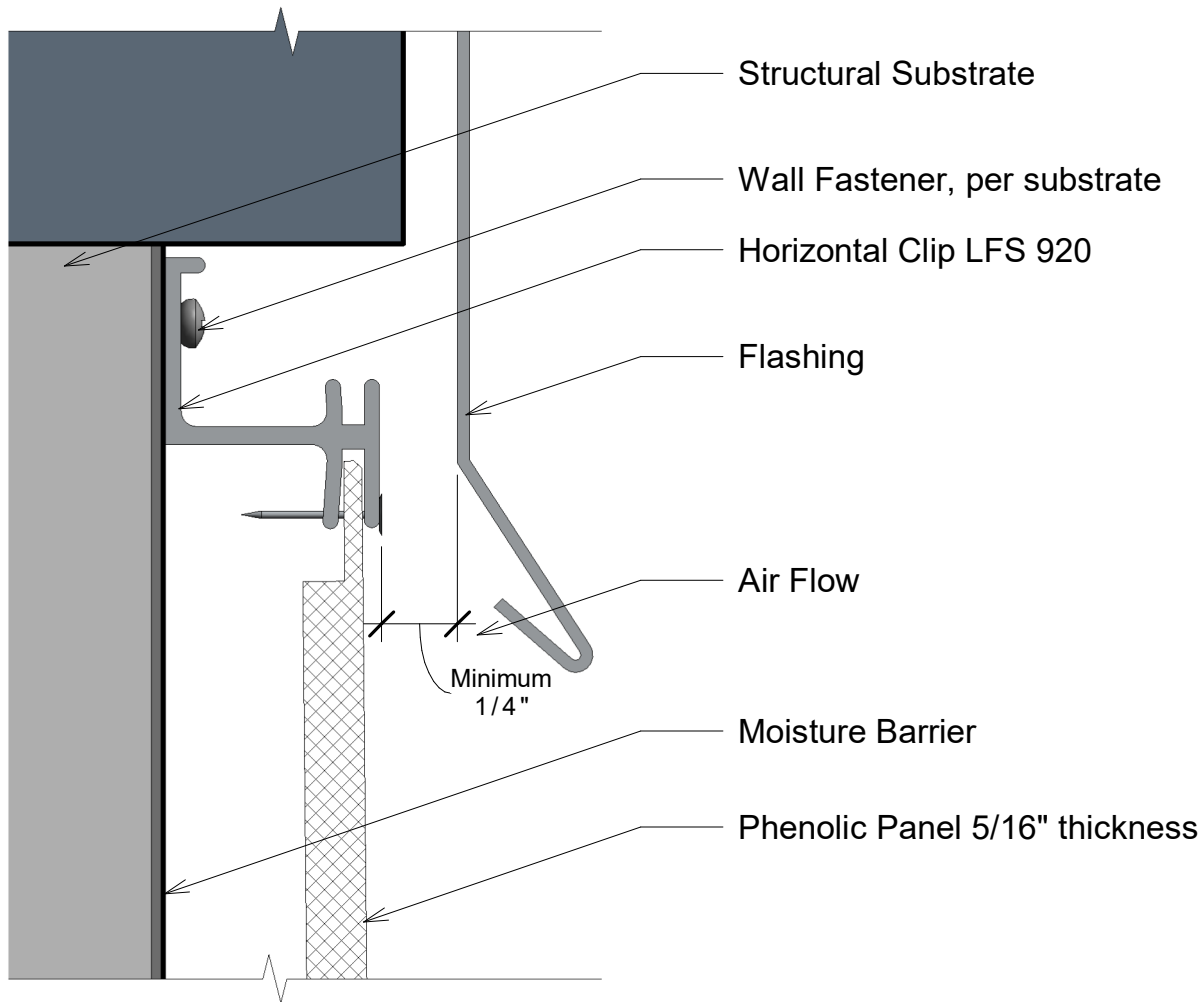
4" - 24" Plank

2 LFS 920 (A)
Horizontal Joint Clip

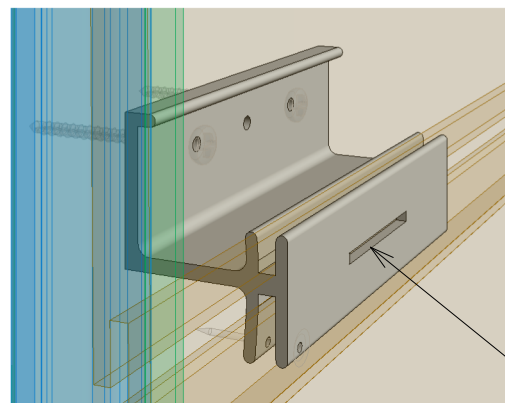


3 LFS 905 (A)
Top Cap


Title: Top Edge		View: Section	Date: 3/18/22	 Wall Panel Systems, Inc. Tel: 877-333-4WPS support@wpsusa.com Web: www.wpsusa.com © 2016 Wall Panel Systems Inc.
Detail: A	System Type: Lap Siding System	Scale: Full	Draw By: WPS, Inc.	

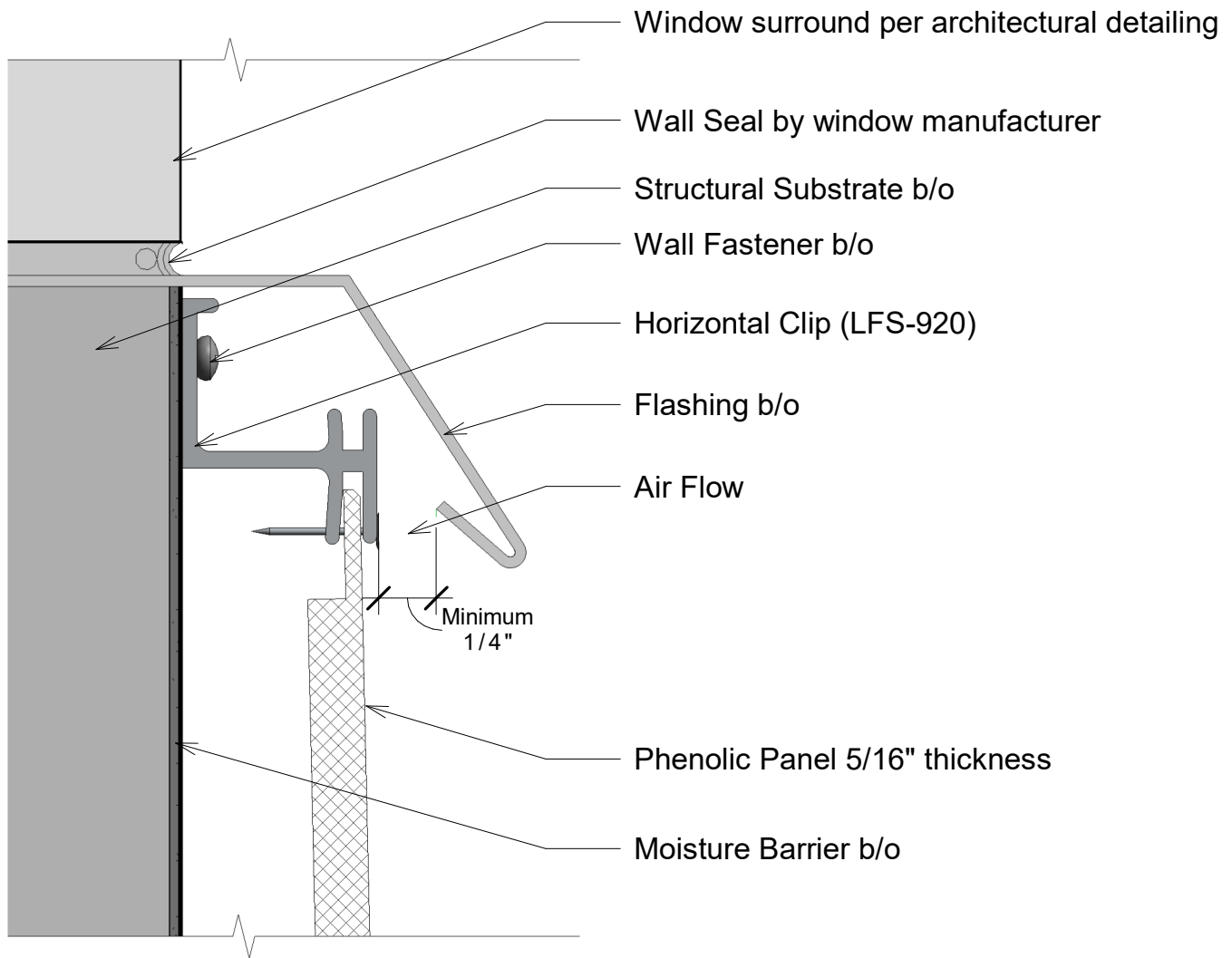


1 Section - A.1
12" = 1'-0"

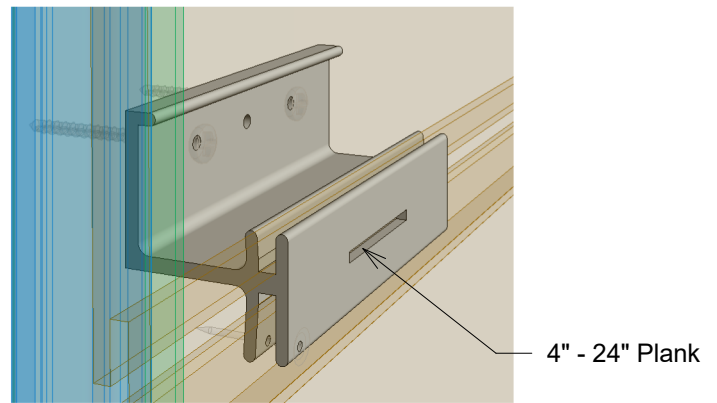


2 LFS 920 (A.1)
Horizontal Joint Clip


Title: Wall Cap Flashing		View: Section	Date: 3/18/22	 Wall Panel Systems, Inc. Tel: 877-333-4WPS support@wpsusa.com Web: www.wpsusa.com © 2016 Wall Panel Systems Inc.
Detail: A.1	System Type: Lap Siding System	Scale: Full	Draw By: WPS, Inc.	

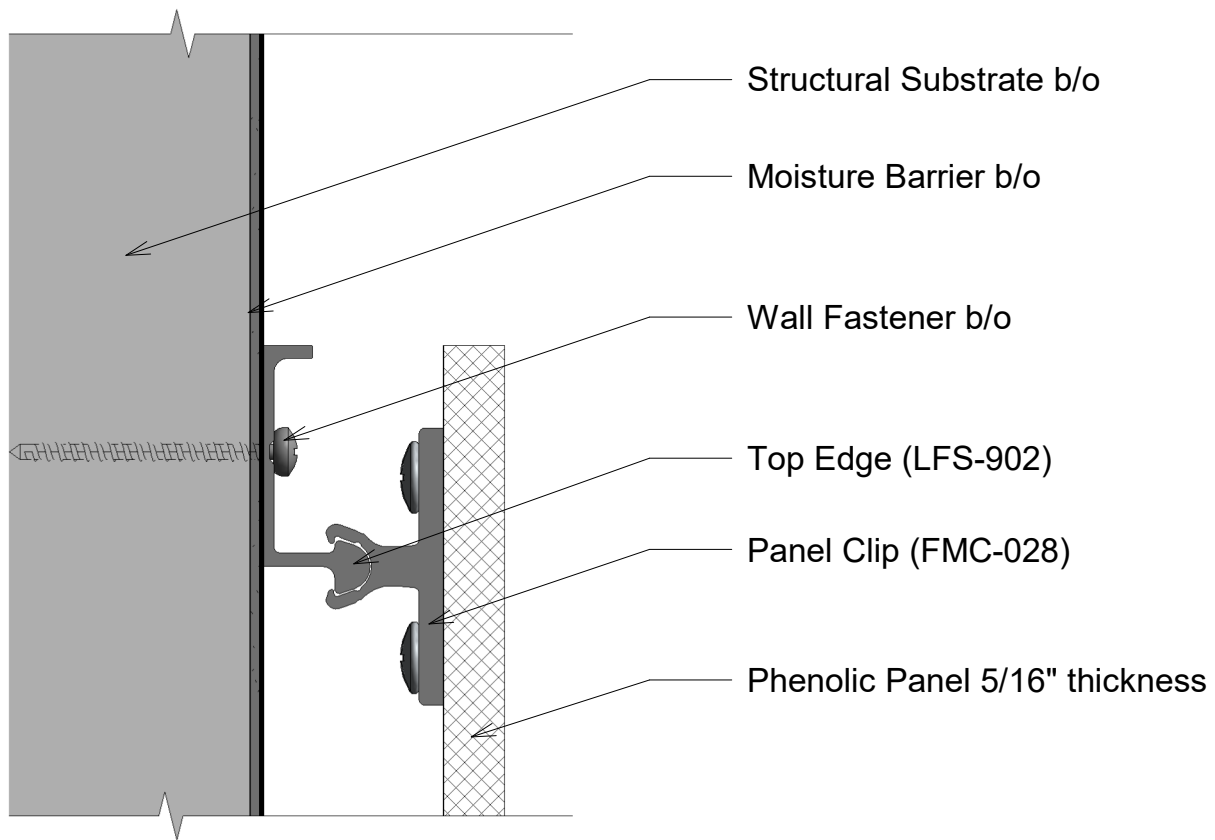


1 Section - A.2
 12" = 1'-0"

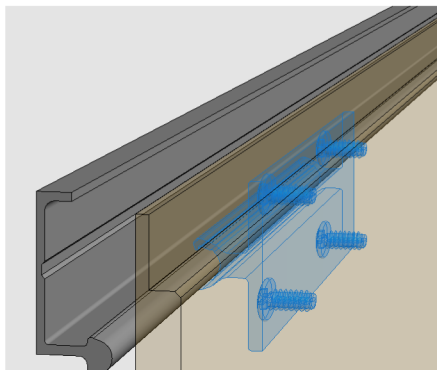


2 LFS 920 (A.2)
 Horizontal Joint Clip

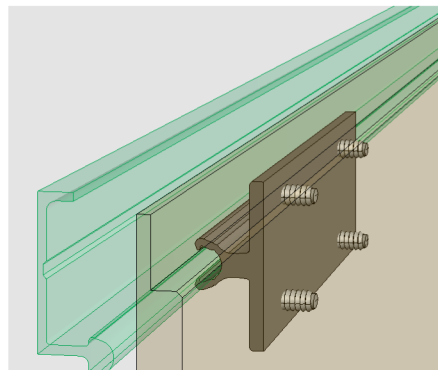
Title: Window Sill Detail		View: Section	Date: 03/18/22	 Wall Panel Systems, Inc. Tel: 877-333-4WPS support@wpsusa.com Web: www.wpsusa.com © 2016 Wall Panel Systems Inc.
Detail: A.2	System Type: Lap Siding System	Scale: Full	Draw By: WPS, Inc.	




1 Section - A.3
12" = 1'-0"

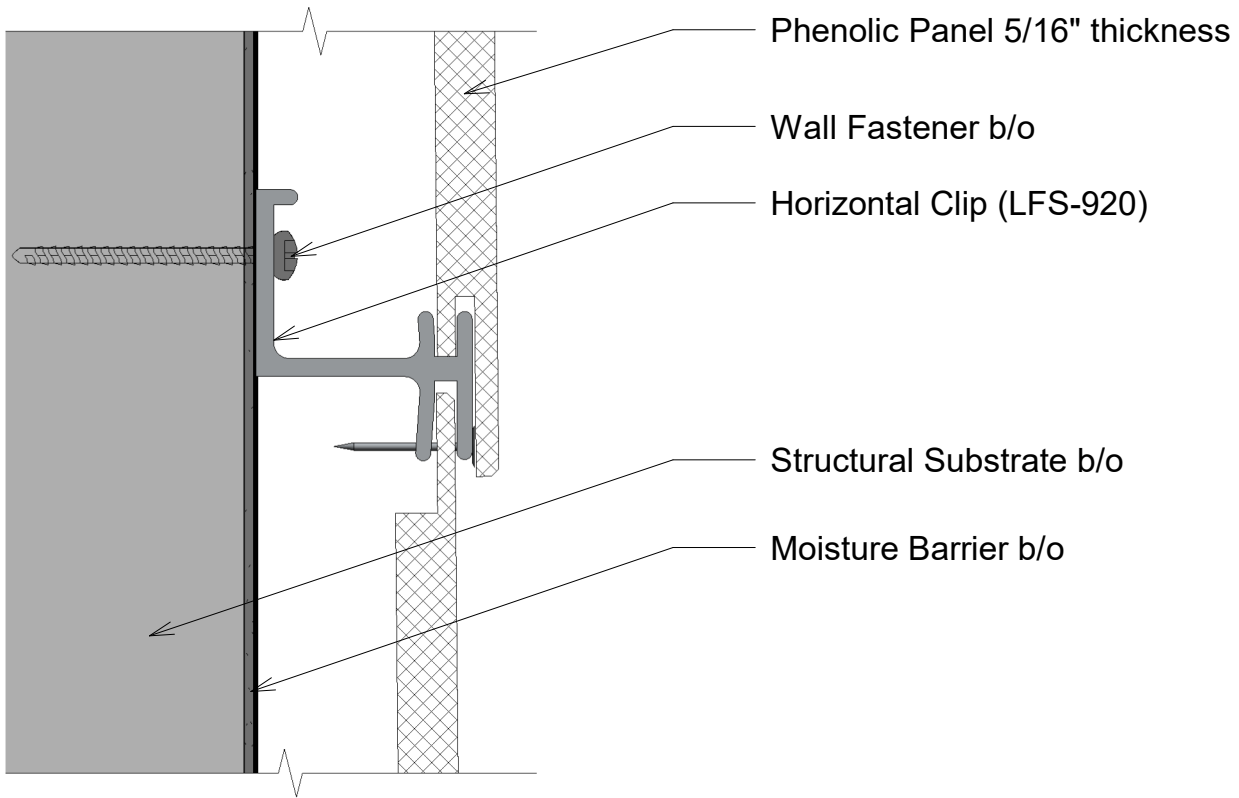


2 LFS 902 (A.3)
Top Edge

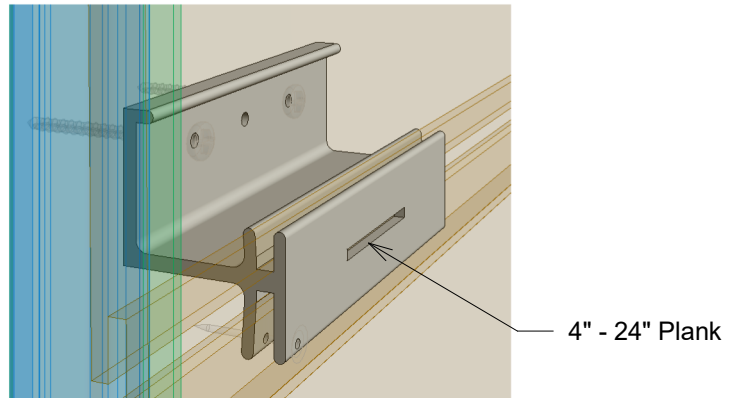


3 FMC 028 (A.3)
Panel Clip


Title: Top Edge		View: Section	Date: 03/18/22	 Wall Panel Systems, Inc. Tel: 877-333-4WPS support@wpsusa.com Web: www.wpsusa.com © 2016 Wall Panel Systems Inc.
Detail: A.3	System Type: Lap Siding System	Scale: Full	Draw By: WPS, Inc.	

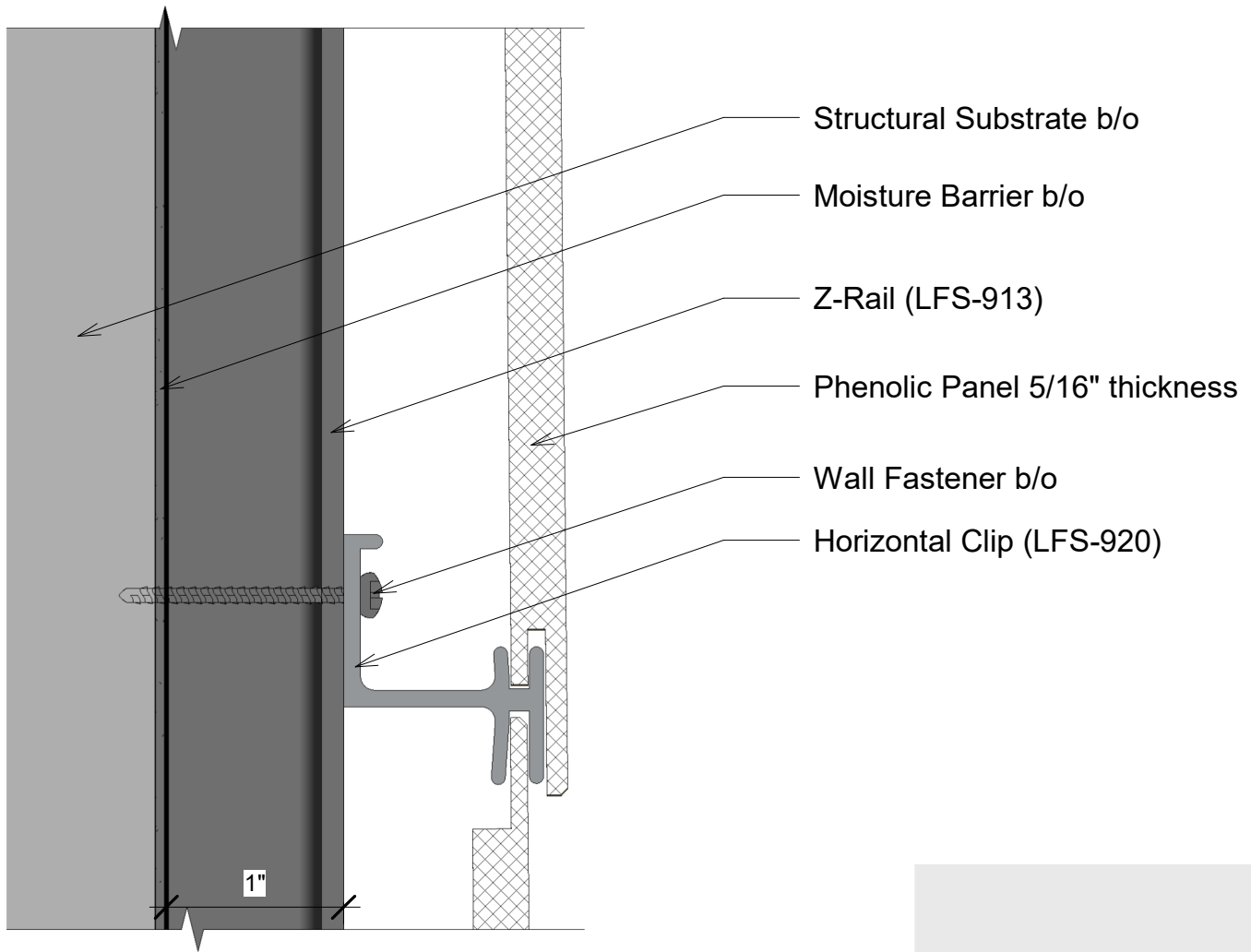


1 Section - B
12" = 1'-0"

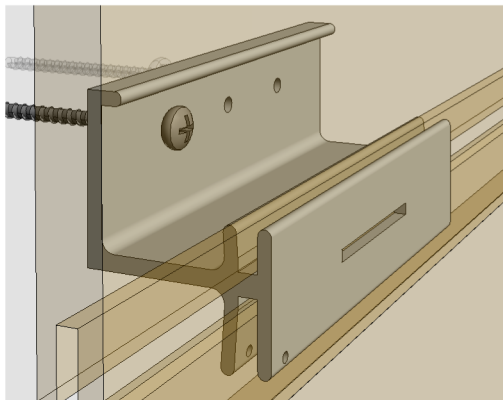


2 LFS 920 (B)
Horizontal Joint Clip

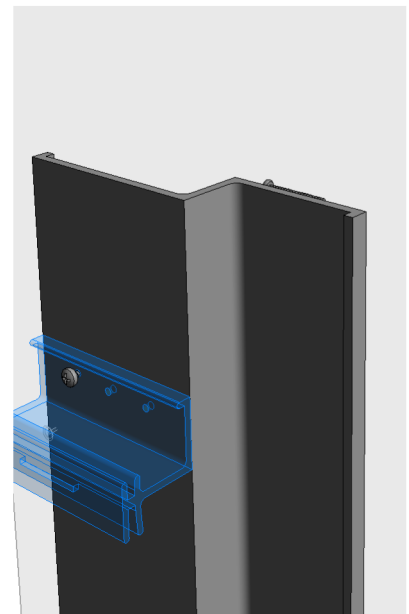
Title: Horizontal Reveal		View: Section	Date: 03/18/22	 Wall Panel Systems, Inc. Tel: 877-333-4WPS support@wpsusa.com Web: www.wpsusa.com © 2016 Wall Panel Systems Inc.
Detail: B	System Type: Lap Siding System	Scale: Full	Draw By: WPS, Inc.	




① Section - B.1
12" = 1'-0"

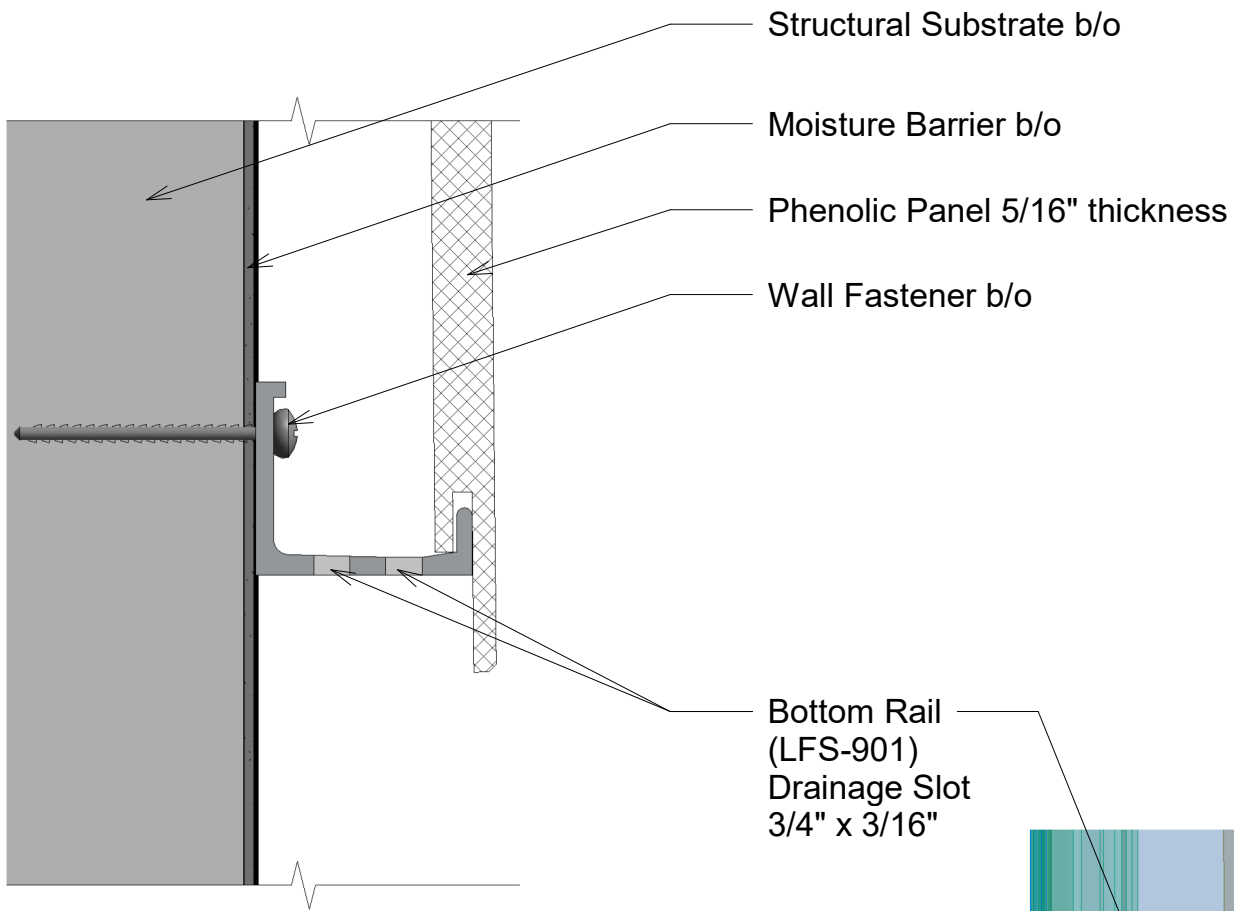


② LFS 920 (B.1)
Horizontal Clip

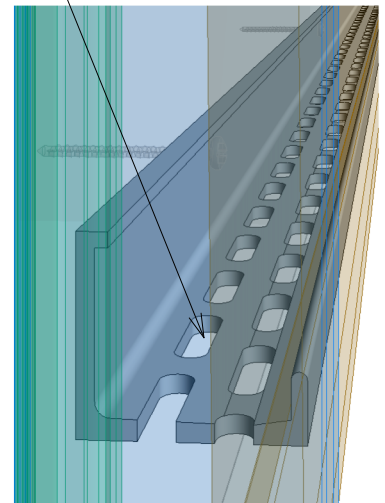


③ LFS 913 (B.1)
Z-Rail


Title: Horizontal Reveal		View: Section	Date: 03/18/22	 Wall Panel Systems, Inc. Tel: 877-333-4WPS support@wpsusa.com Web: www.wpsusa.com © 2016 Wall Panel Systems Inc.
Detail: B.1	System Type: Lap Siding System	Scale: Full	Draw By: WPS, Inc.	

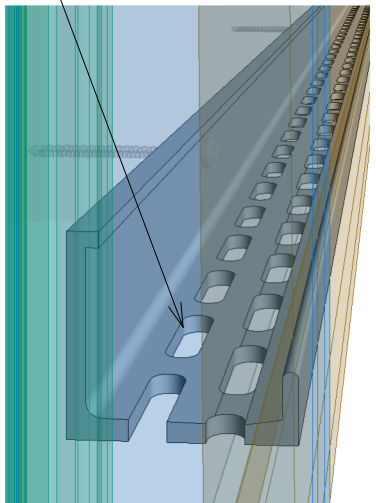
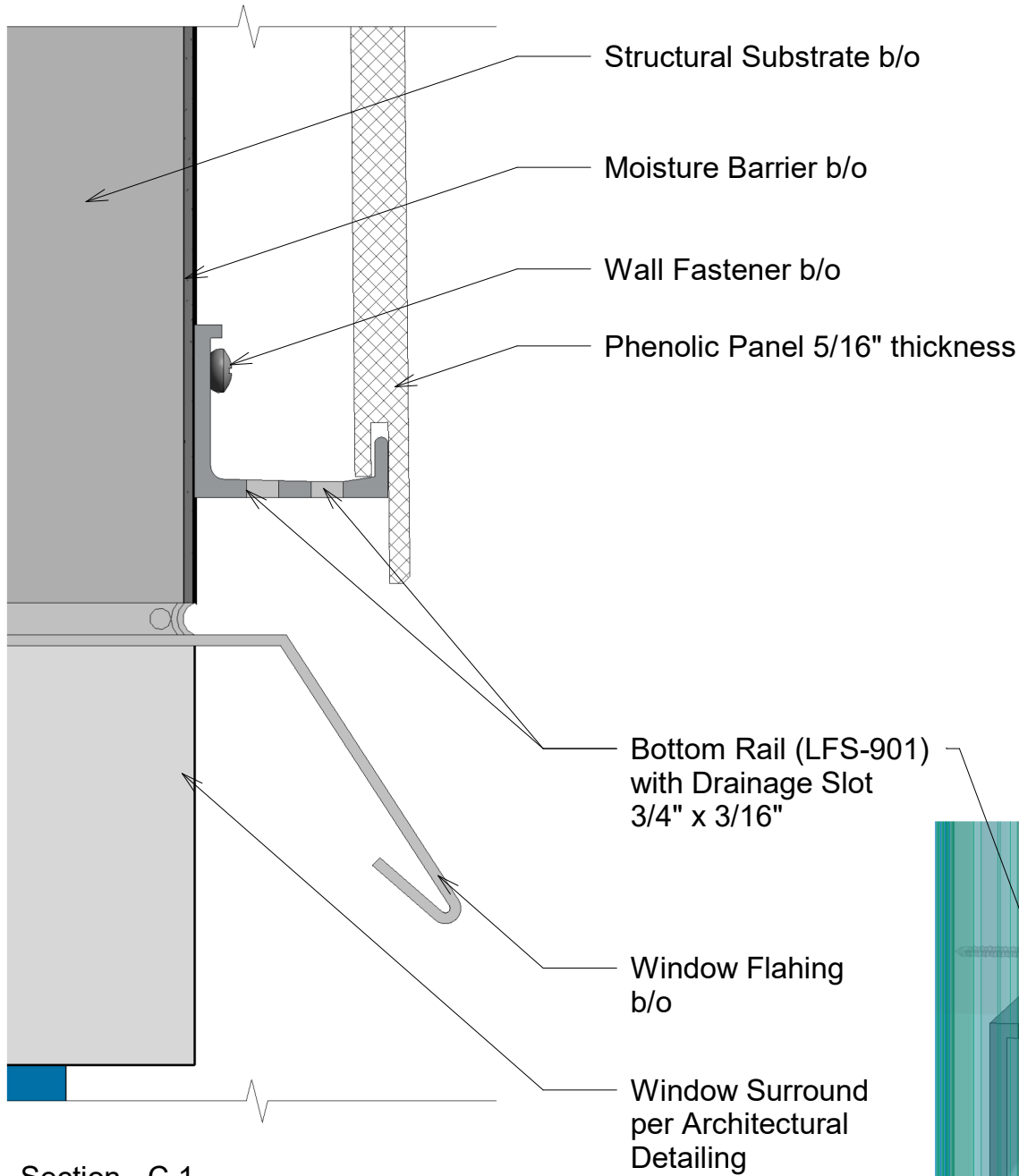


1 Section - C
12" = 1'-0"




2 LFS 901 (C)
Bottom Rail with Drainage Slot

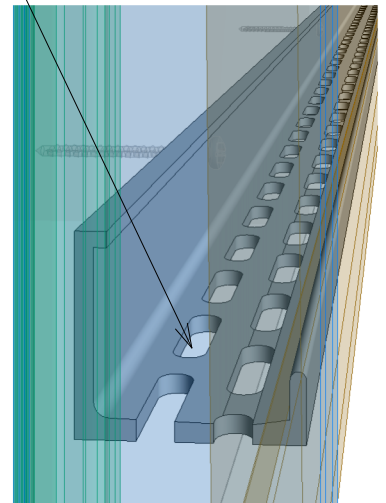
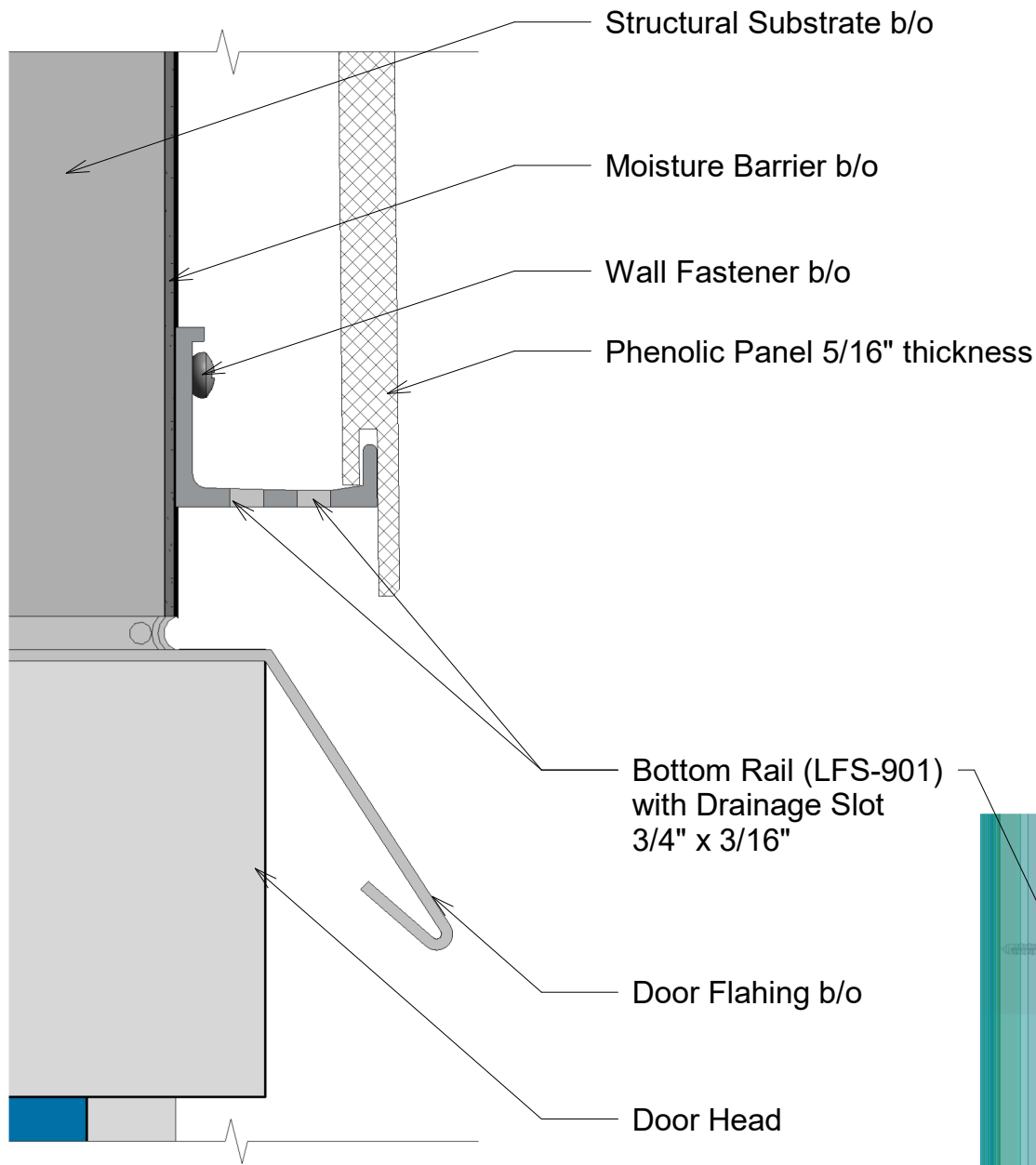
Title: Bottom Edge		View: Section	Date: 03/18/22	 Wall Panel Systems, Inc. Tel: 877-333-4WPS support@wpsusa.com Web: www.wpsusa.com © 2016 Wall Panel Systems Inc.
Detail: C	System Type: Lap Siding System	Scale: Full	Draw By: WPS, Inc.	



1 Section - C.1
12" = 1'-0"


2 LFS 901 (C.1)
Bottom Rail with Drainage Slot

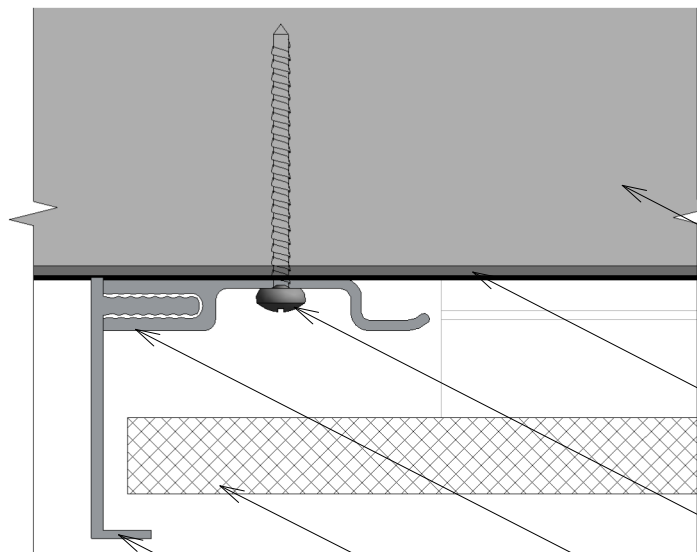
Title: Window Head Detail		View: Section	Date: 03/18/22	 Wall Panel Systems, Inc. Tel: 877-333-4WPS support@wpsusa.com Web: www.wpsusa.com © 2016 Wall Panel Systems Inc.
Detail: C.1	System Type: Lap Siding System	Scale: Full	Draw By: WPS, Inc.	



1 Section - C.2
12" = 1'-0"

2 LFS 901 (C.2)
Bottom Rail with Drainage Slot

Title: Door Head Detail		View: Section	Date: 03/18/22	 Wall Panel Systems, Inc. Tel: 877-333-4WPS support@wpsusa.com Web: www.wpsusa.com © 2016 Wall Panel Systems Inc.
Detail: C.2	System Type: Lap Siding System	Scale: Full	Draw By: WPS, Inc.	



Structural Substrate b/o

Moisture Barrier b/o

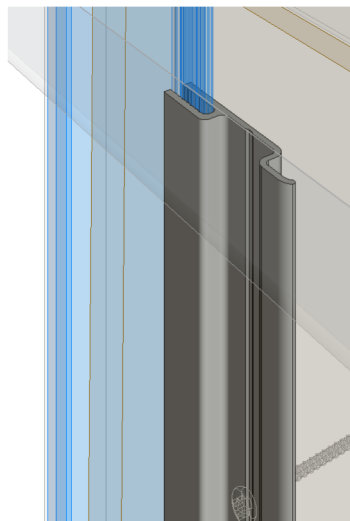
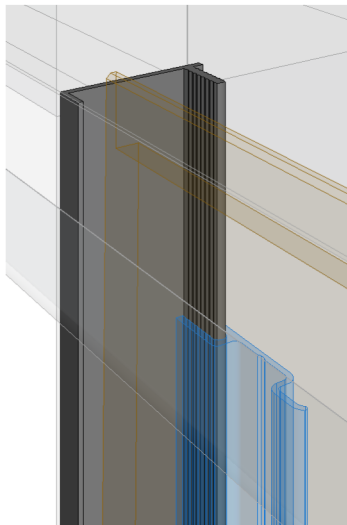
Wall Fastener b/o

Receiver (LPS-320)

Phenolic Panel
5/16" thickness


Edge Trim (LFS-931)

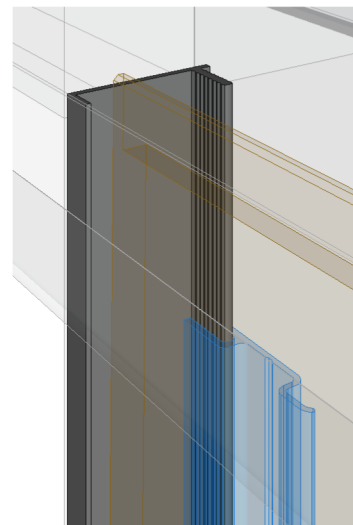
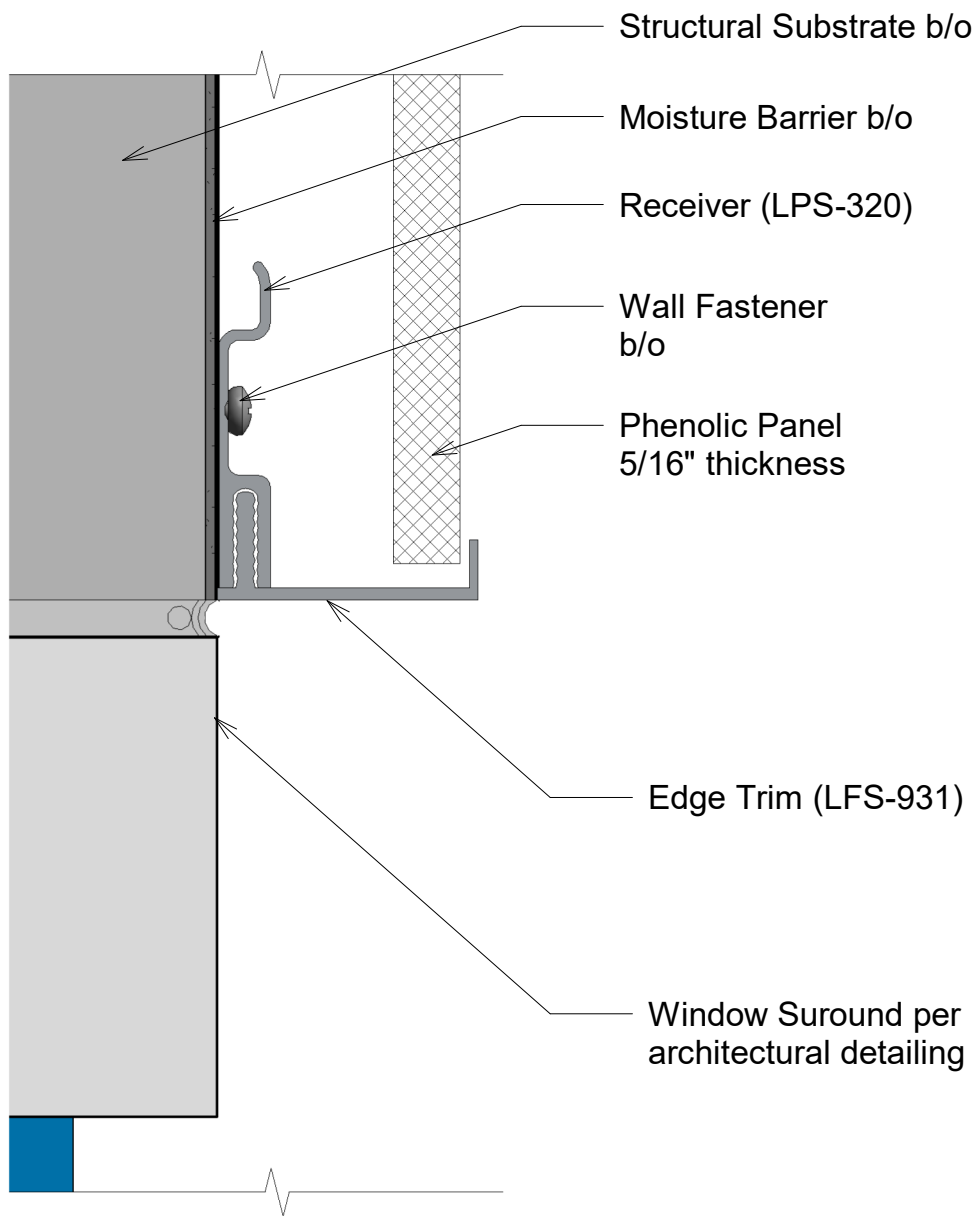
① Plan View - D
12" = 1'-0"



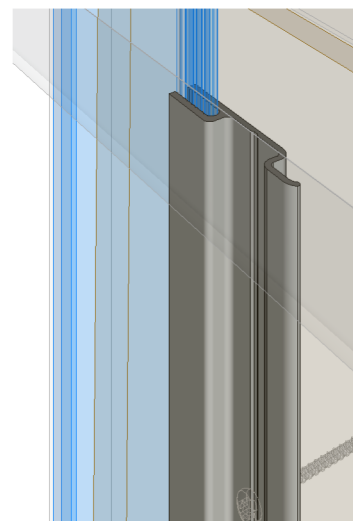
② LFS 931 (D)
Edge Trim

③ LPS 320 (D)
Receiver

Title: Vertical Edge		View: Plan	Date: 03/18/22	 Wall Panel Systems, Inc. Tel: 877-333-4WPS support@wpsusa.com Web: www.wpsusa.com © 2016 Wall Panel Systems Inc.
Detail: D	System Type: Lap Siding System	Scale: Full	Draw By: WPS, Inc.	




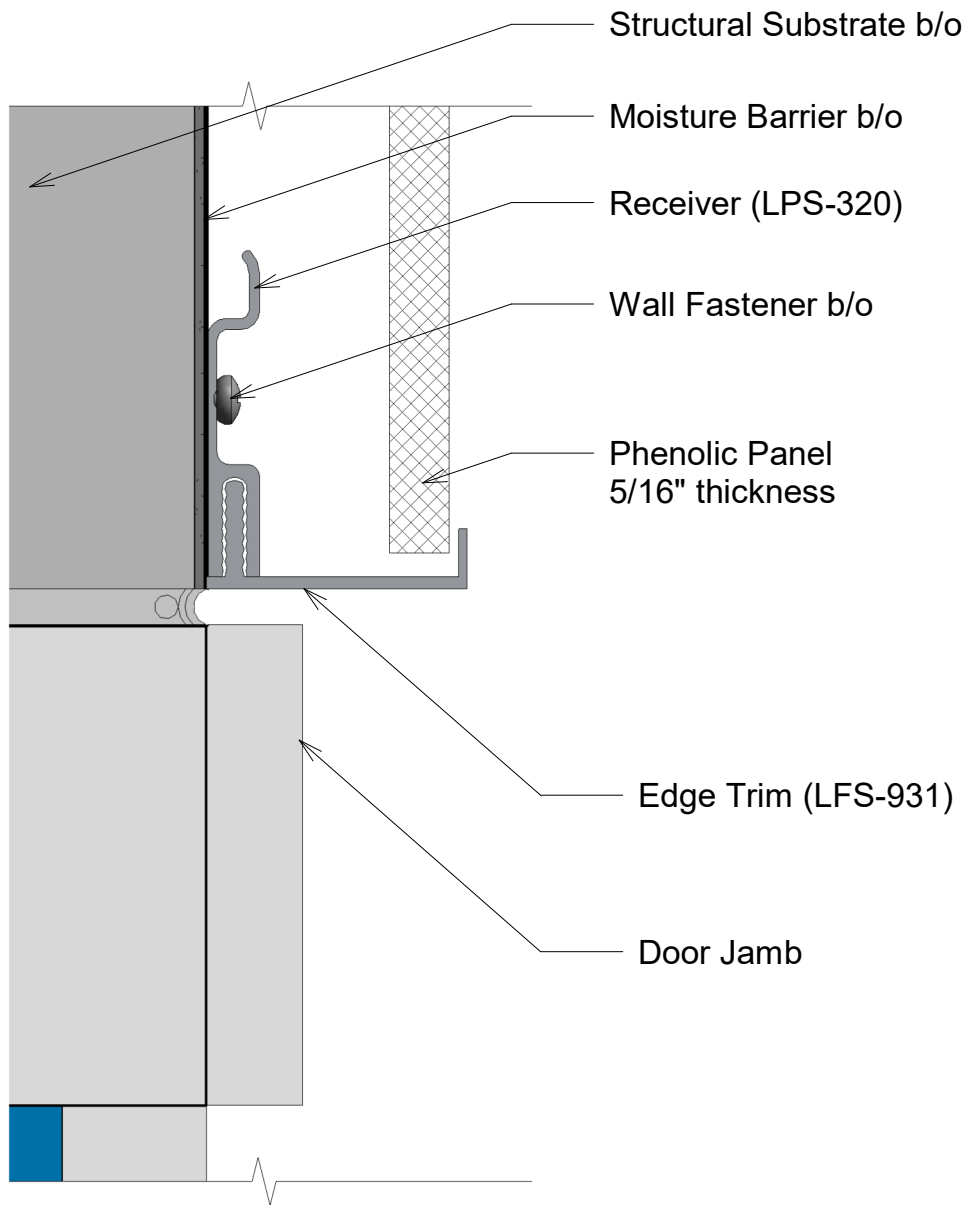
② LFS 931 (D.1)
Edge Trim



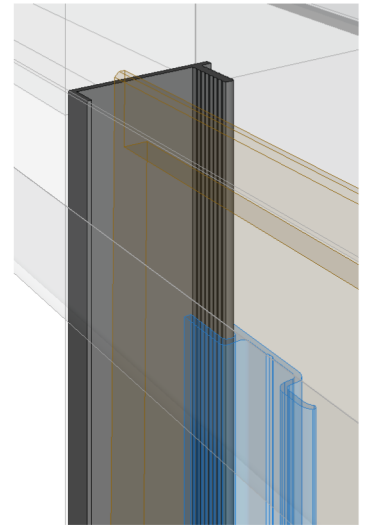
③ LPS 320 (D.1)
Receiver

① Plan View - D.1
12" = 1'-0"

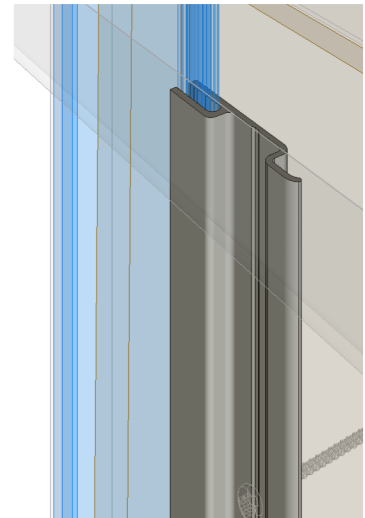
Title: Window Jamb Detail		View: Plan	Date: 03/18/22	 Wall Panel Systems, Inc. Tel: 877-333-4WPS support@wpsusa.com Web: www.wpsusa.com © 2016 Wall Panel Systems Inc.
Detail: D.1	System Type: Lap Siding System	Scale: Full	Draw By: WPS, Inc.	




① Plan View - D.2
12" = 1'-0"

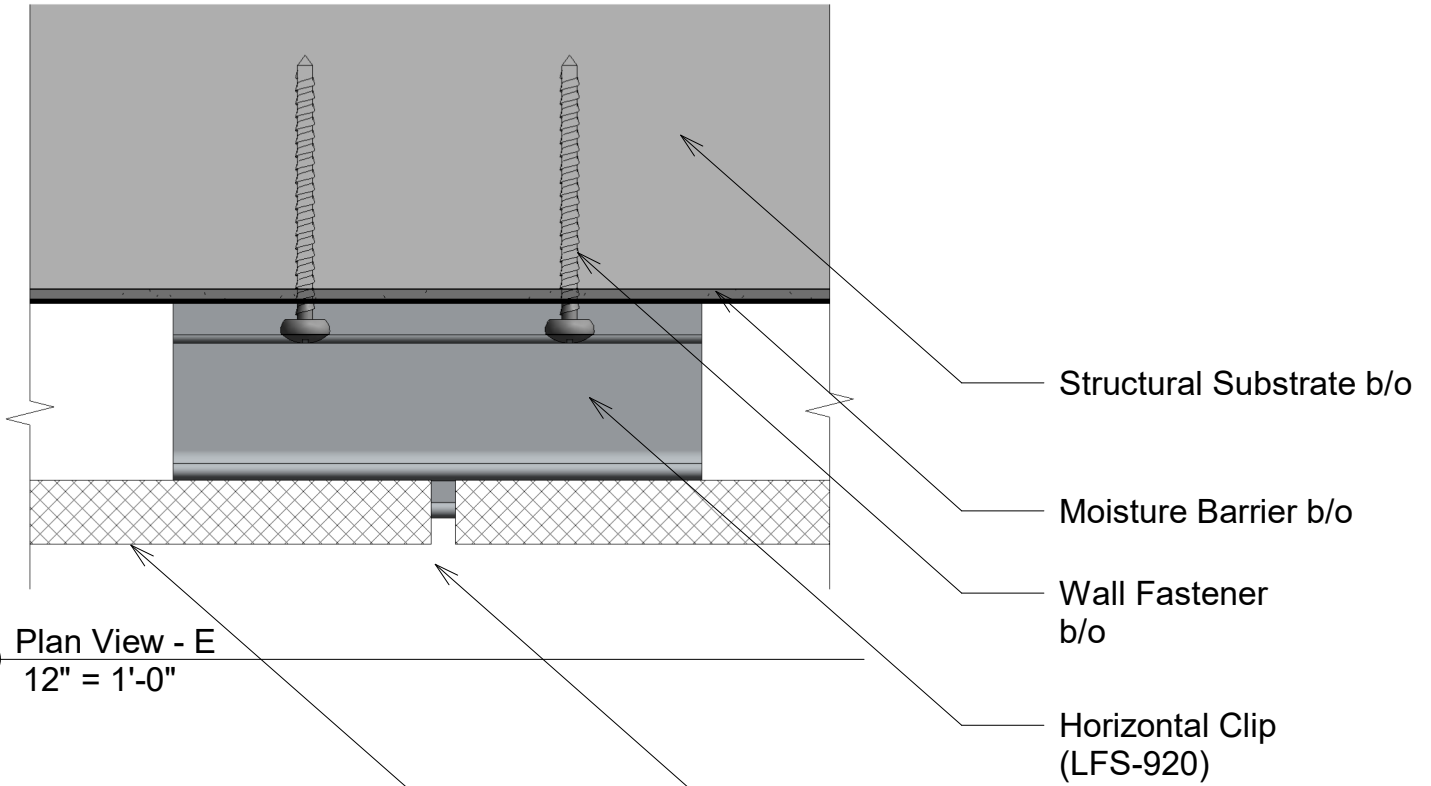


② LFS 931 (D.2)
Edge Trim



③ LPS 320 (D.2)
Receiver


Title: Door Jamb Detail		View: Plan	Date: 03/18/22	 Wall Panel Systems, Inc. Tel: 877-333-4WPS support@wpsusa.com Web: www.wpsusa.com © 2016 Wall Panel Systems Inc.
Detail: D.2	System Type: Lap Siding System	Scale: Full	Draw By: WPS, Inc.	

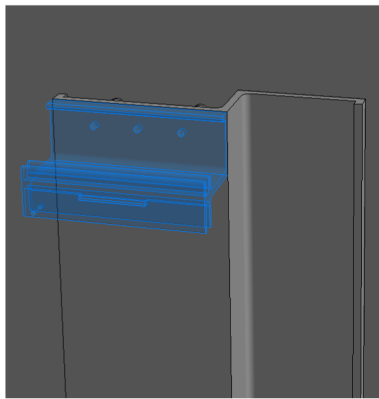
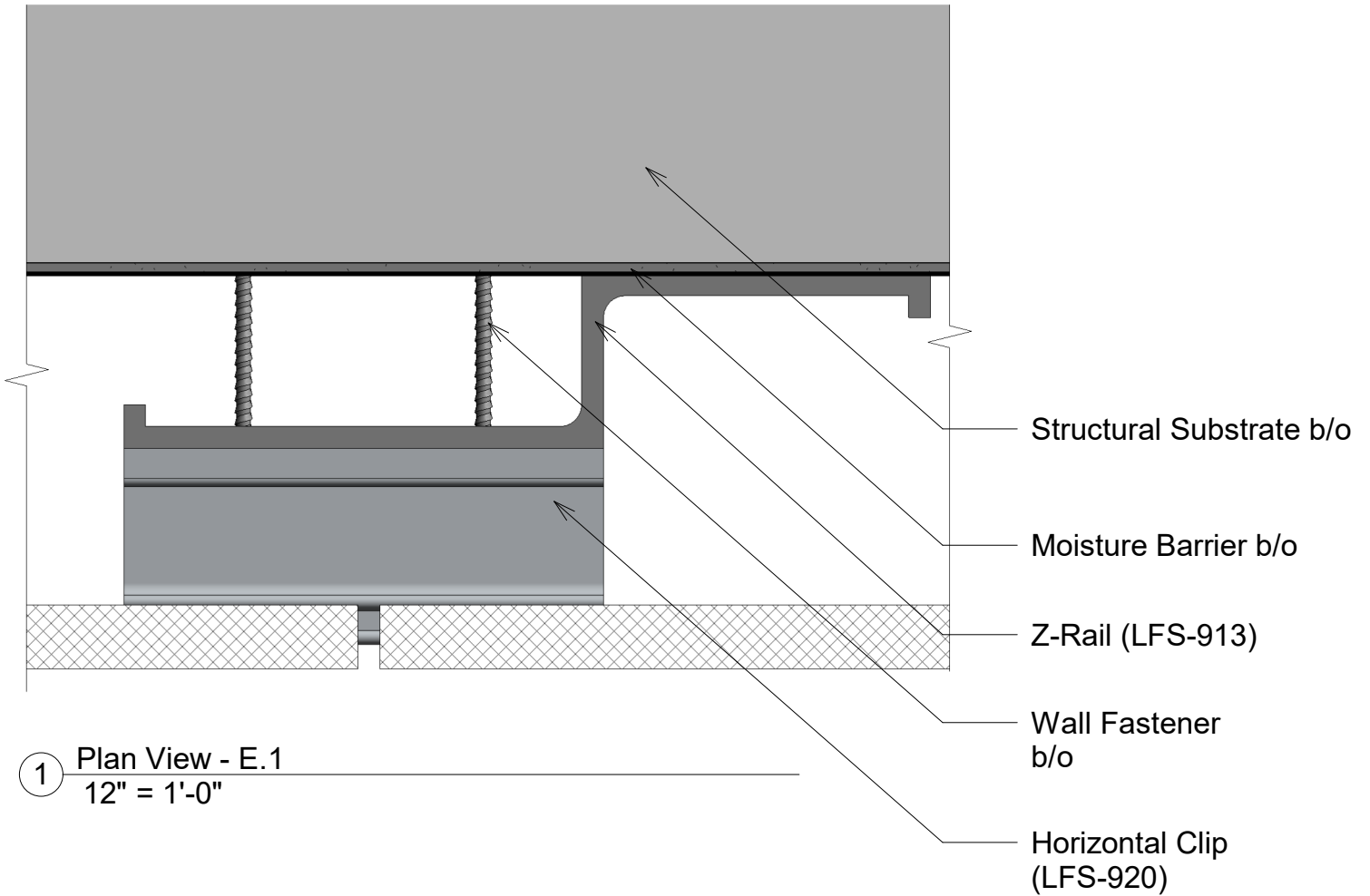


1 Plan View - E
12" = 1'-0"

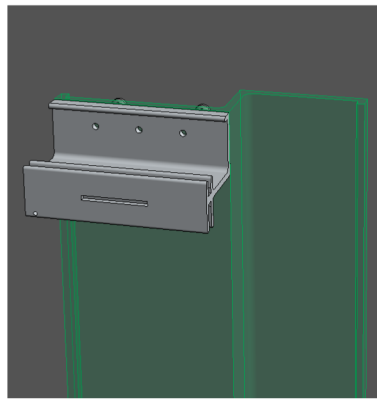
Note; Vertical Joint Required for up to 5' plank 1/8", 10' plank 1/4" and 12' plank 5/16"

Phenolic Panel 5/16" thickness


Title: Vertical Joint		View: Plan	Date: 03/18/22	 Wall Panel Systems, Inc. Tel: 877-333-4WPS support@wpsusa.com Web: www.wpsusa.com © 2016 Wall Panel Systems Inc.
Detail: E	System Type: Lap Siding System	Scale: Full	Draw By: WPS, Inc.	

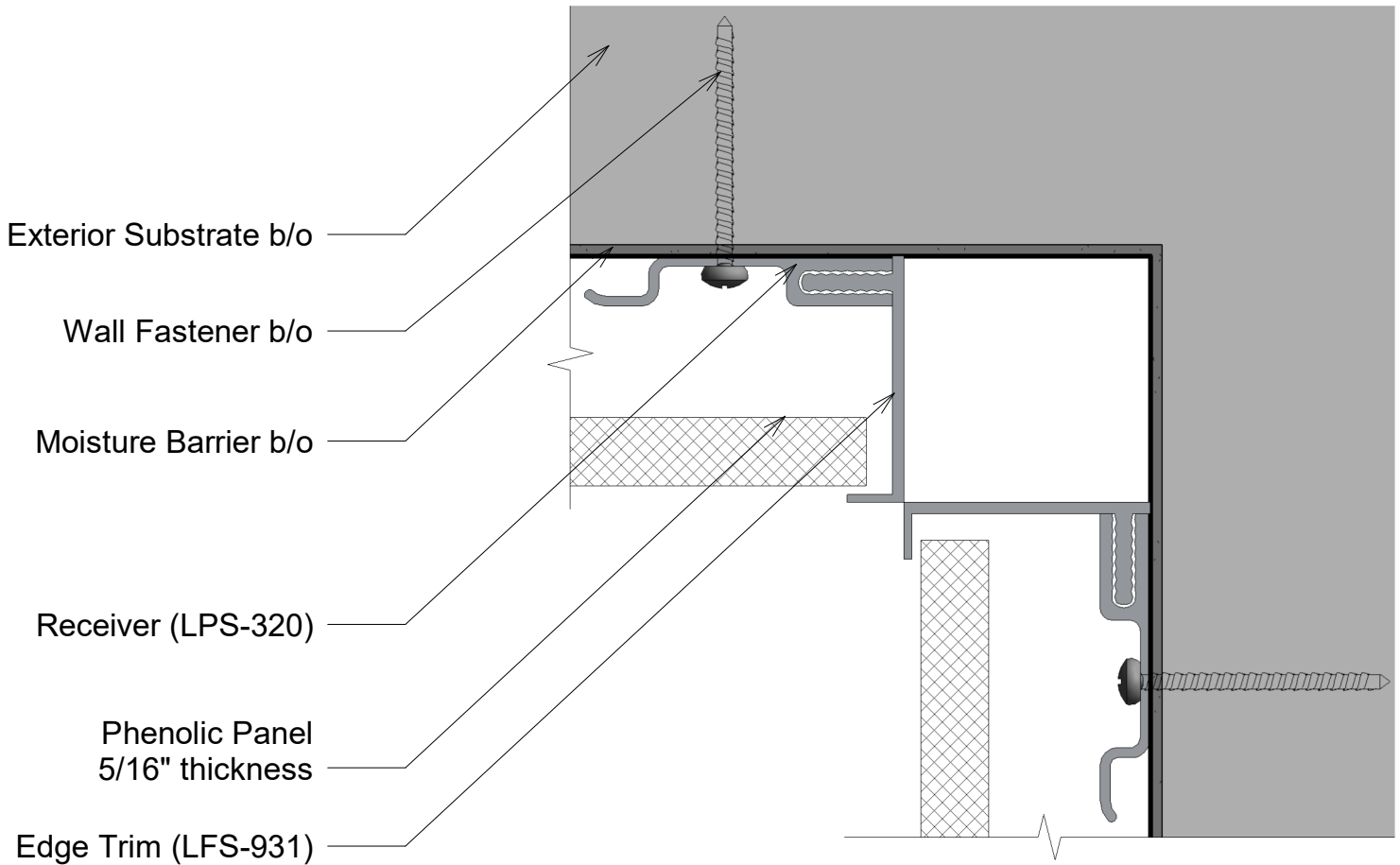


2 LFS 913 (E.1)
Z-Rail

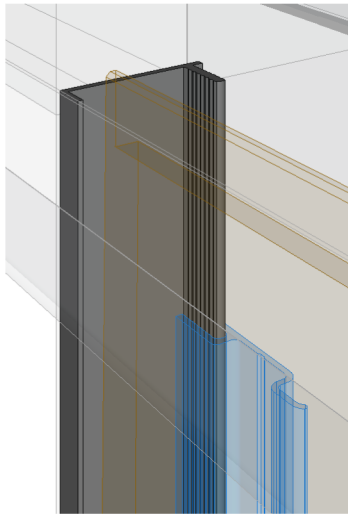


3 LFS 920 (E.1)
Horizontal Clip

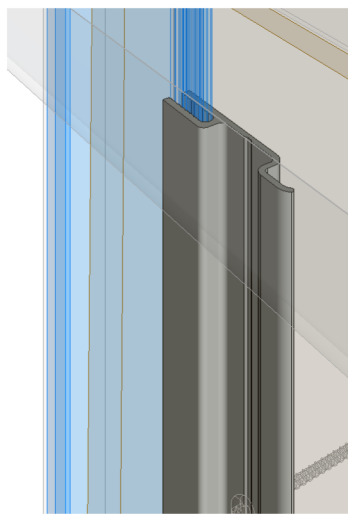
Title: Vertical Joint		View: Plan	Date: 03/18/22	 Wall Panel Systems, Inc. Tel: 877-333-4WPS support@wpsusa.com Web: www.wpsusa.com © 2016 Wall Panel Systems Inc.
Detail: E.1	System Type: Lap Siding System	Scale: Full	Draw By: WPS, Inc.	




① Plan View - G
12" = 1'-0"

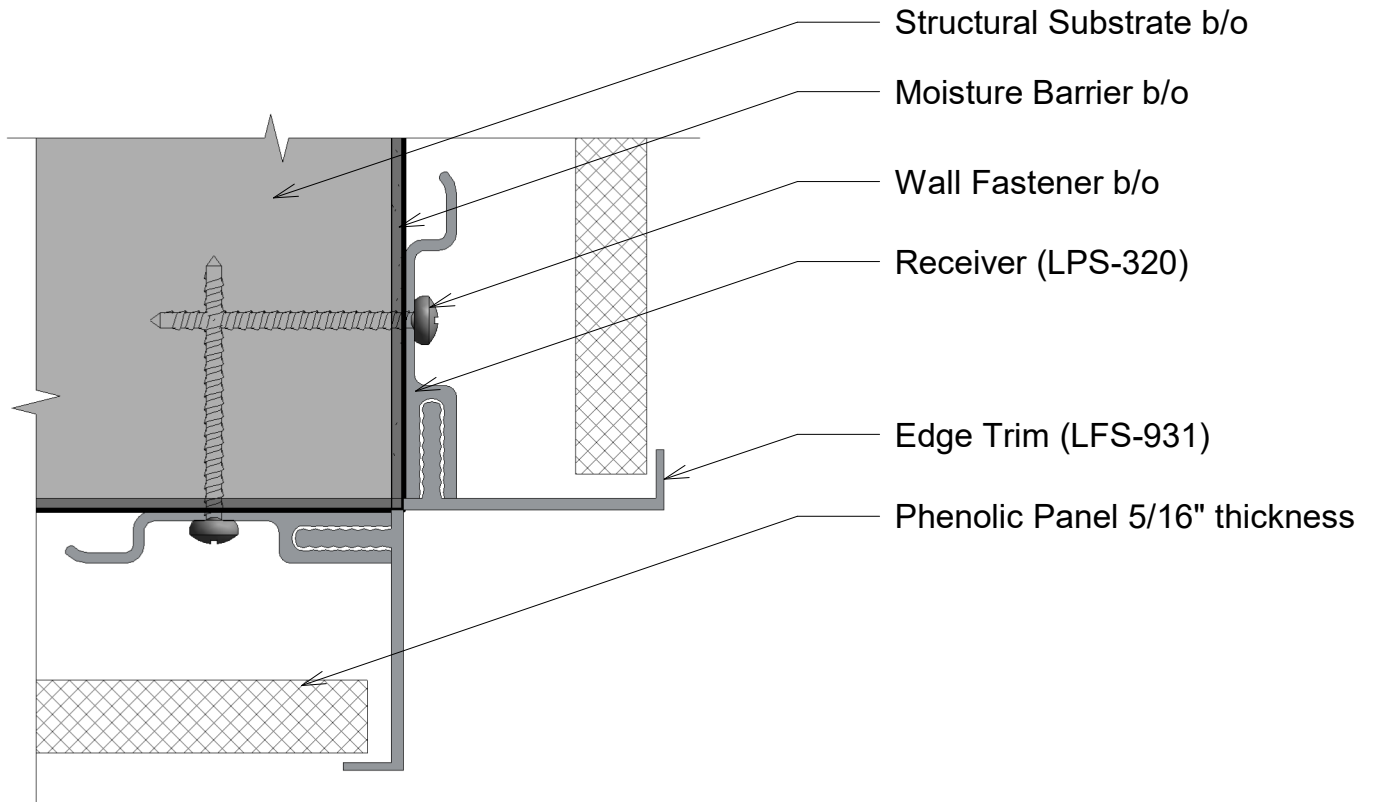


② LFS 931 (G)
Edge Trim

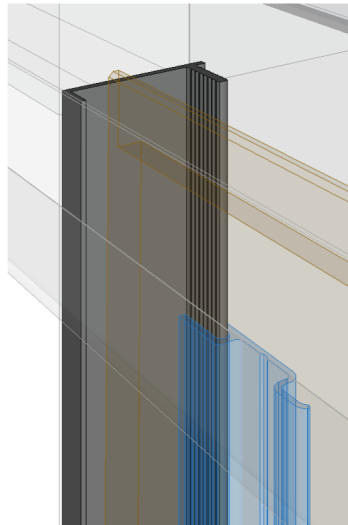


③ LPS 320 (G)
Receiver

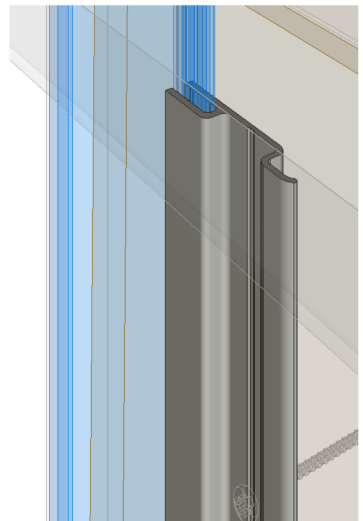
Title: Inside Corner		View: Plan	Date: 03/18/22	 Wall Panel Systems, Inc. Tel: 877-333-4WPS support@wpsusa.com Web: www.wpsusa.com © 2016 Wall Panel Systems Inc.
Detail: G	System Type: Lap Siding System	Scale: Full	Draw By: WPS, Inc.	




1 Plan View - H
12" = 1'-0"

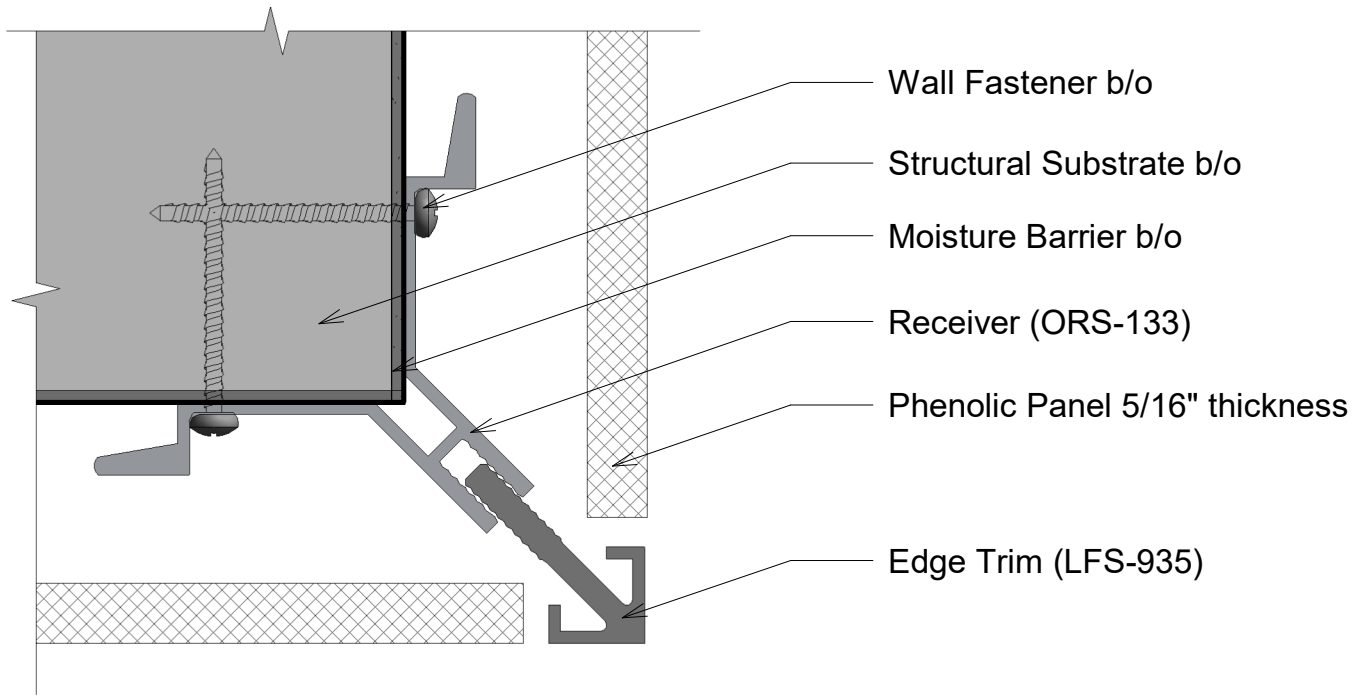


2 LFS 931 (H)
Edge Trim

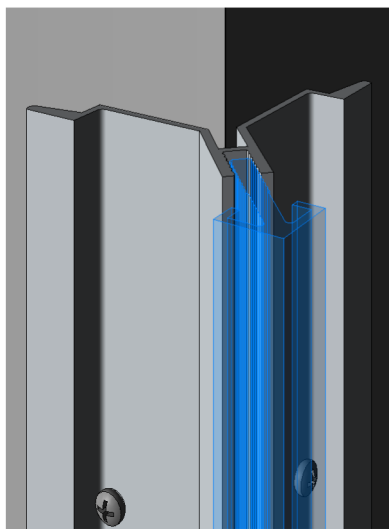


3 LPS 320 (H)
Receiver

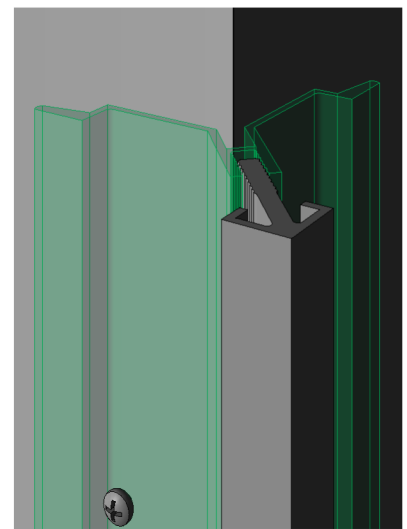
Title: Outside Corner		View: Plan	Date: 03/18/22	 Wall Panel Systems, Inc. Tel: 877-333-4WPS support@wpsusa.com Web: www.wpsusa.com © 2016 Wall Panel Systems Inc.
Detail: H	System Type: Lap Siding System	Scale: Full	Draw By: WPS, Inc.	




1 Plan View - H.1
12" = 1'-0"

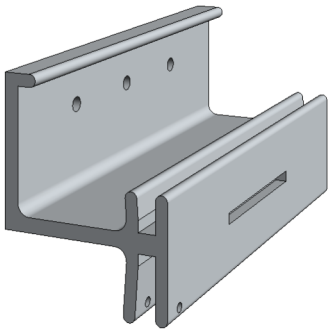


2 ORS-133 (H.1)
Receiver

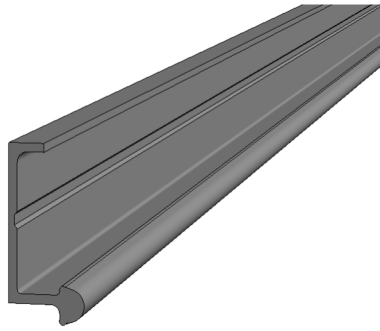


3 LFS 935 (H.1)
Edge Trim

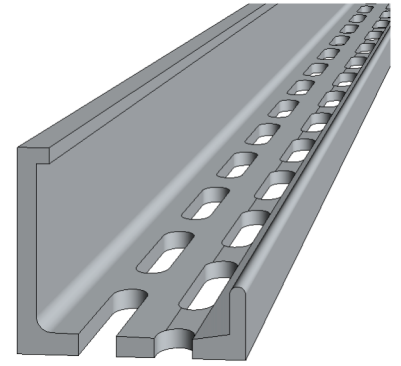
Title: Outside Corner		View: Plan	Date: 03/18/22	 Wall Panel Systems, Inc. Tel: 877-333-4WPS support@wpsusa.com Web: www.wpsusa.com © 2016 Wall Panel Systems Inc.
Detail: H.1	System Type: Lap Siding System	Scale: Full	Draw By: WPS, Inc.	



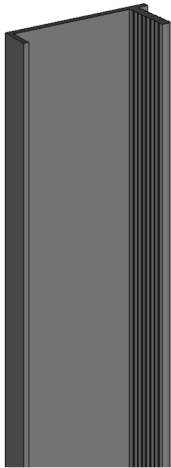
① LFS 920 (U)
Horizontal Joint Clip



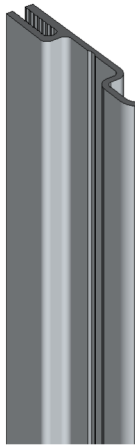
② LFS 902 (U)
Top Cap



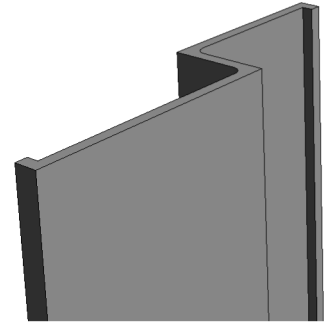
③ LFS 901 (U)
Bottom Rail with Drainage Slot



④ LFS 931 (U)
Edge Trim



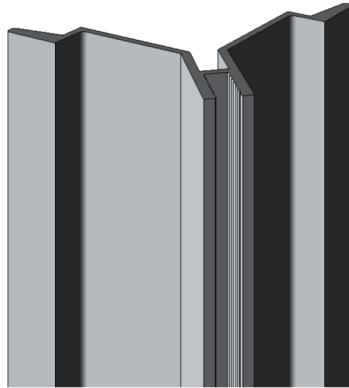
⑤ LPS 320 (U)
Receiver



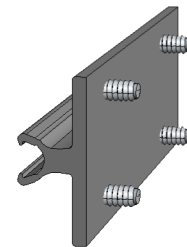
⑥ LFS 913 (U)
Receiver




⑦ LFS 935 (U)
Corner Edge



⑧ ORS-133 (U)
Corner Receiver



⑨ FMC 028 (U)
Panel Clip

Title: Parts List		View: 3D	Date: 03/18/22	 Wall Panel Systems, Inc. Tel: 877-333-4WPS support@wpsusa.com Web: www.wpsusa.com © 2016 Wall Panel Systems Inc.
Detail: U	System Type: Lap Siding System	Scale: Full	Draw By: WPS, Inc.	