
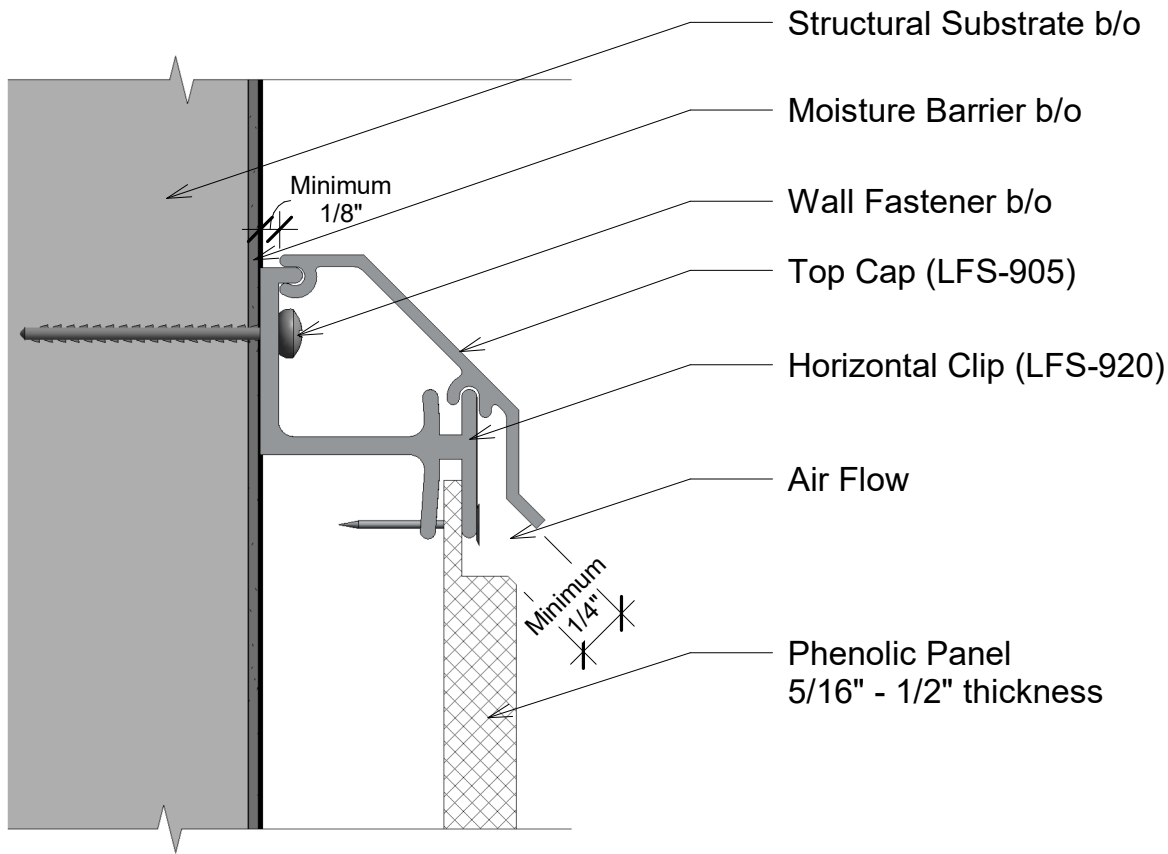
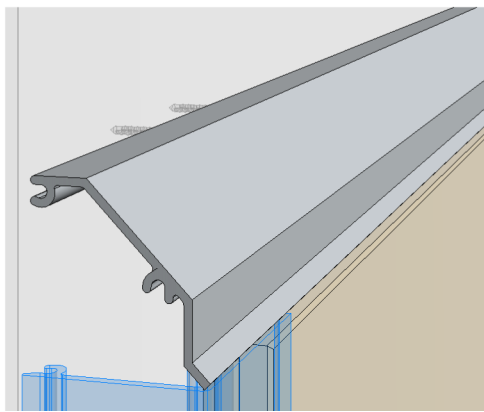


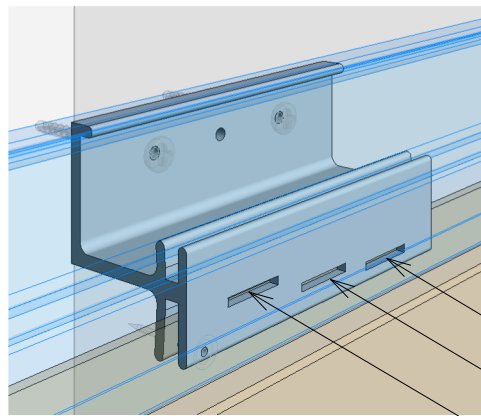
Title:		View:		Date:	
Installation Instruction 3-D Model		3D		06/27/22	
Detail:	System Type:	Scale:	Drawn By:		
0	Flush Siding Vertical System	N/A	WPS, Inc.		
 <b>Wall Panel System, Inc.</b> Tel: 877-333-4WPS support@wpsusa.com Web: www.wpsusa.com © 2016 Wall Panel Systems Inc.					



1 Section - A  
12" = 1'-0"




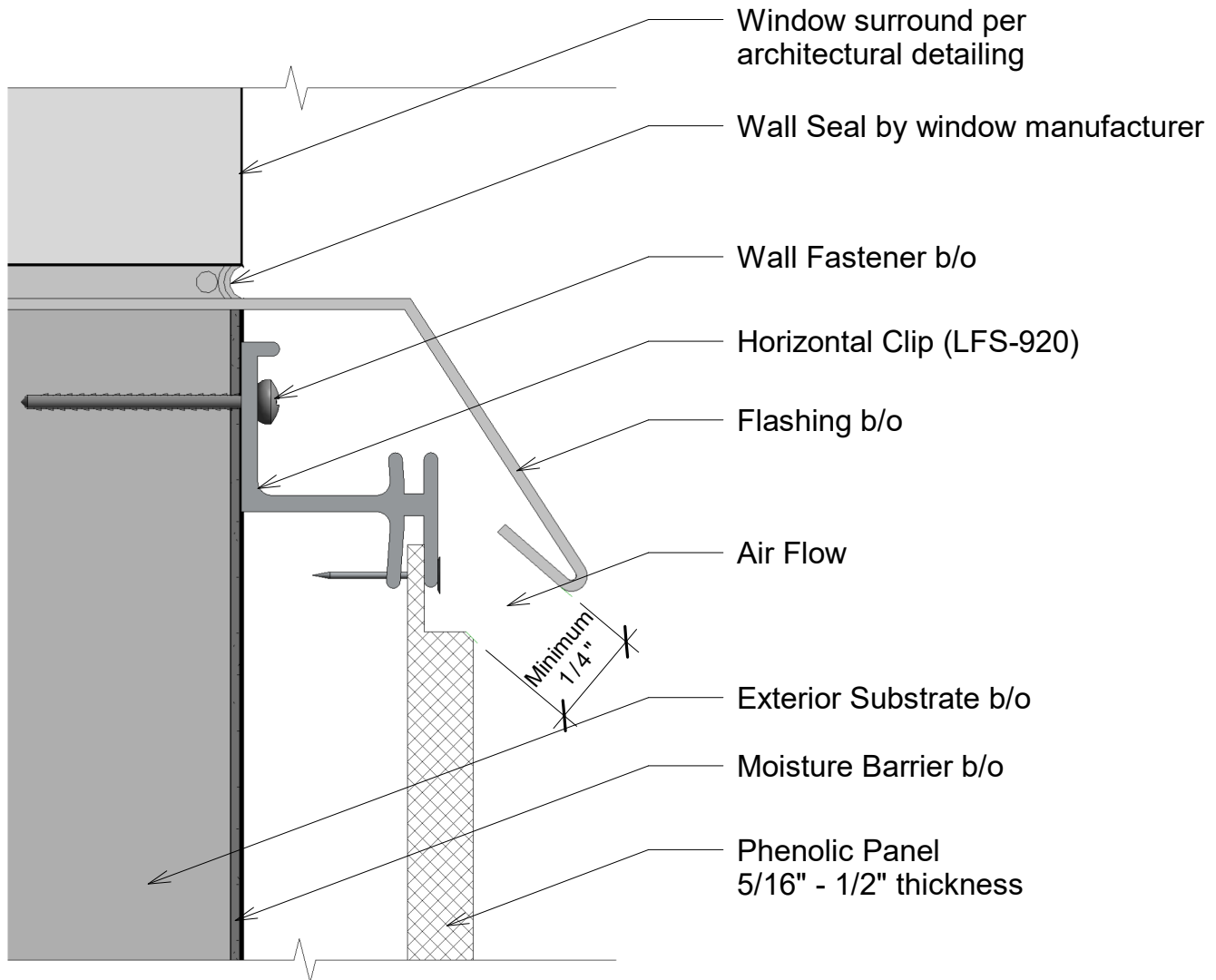
2 LFS 905 (A)  
Top Cap



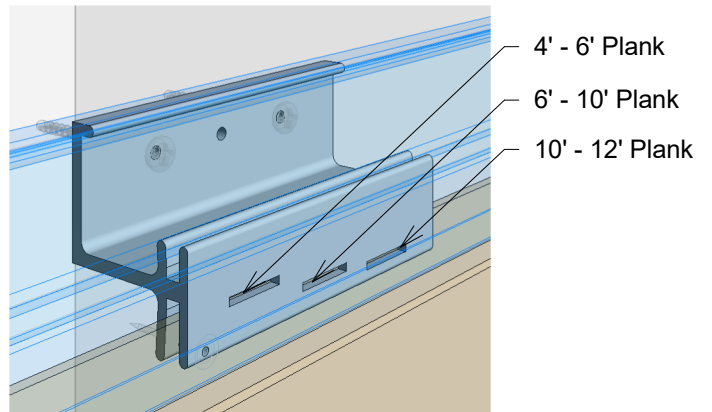
3 LFS 920 (A)  
Horizontal Joint Clip

10' - 12' Plank  
6' - 10' Plank  
4' - 6' Plank


Title: <b>Top Edge</b>		View: <b>Section</b>	Date: <b>03/18/22</b>	 <b>Wall Panel Systems, Inc.</b> Tel: 877-333-4WPS support@wpsusa.com Web: www.wpsusa.com © 2016 Wall Panel Systems Inc.
Detail: <b>A</b>	System Type: <b>Flush Siding Ver. System</b>	Scale: <b>Full</b>	Draw By: <b>WPS, Inc.</b>	

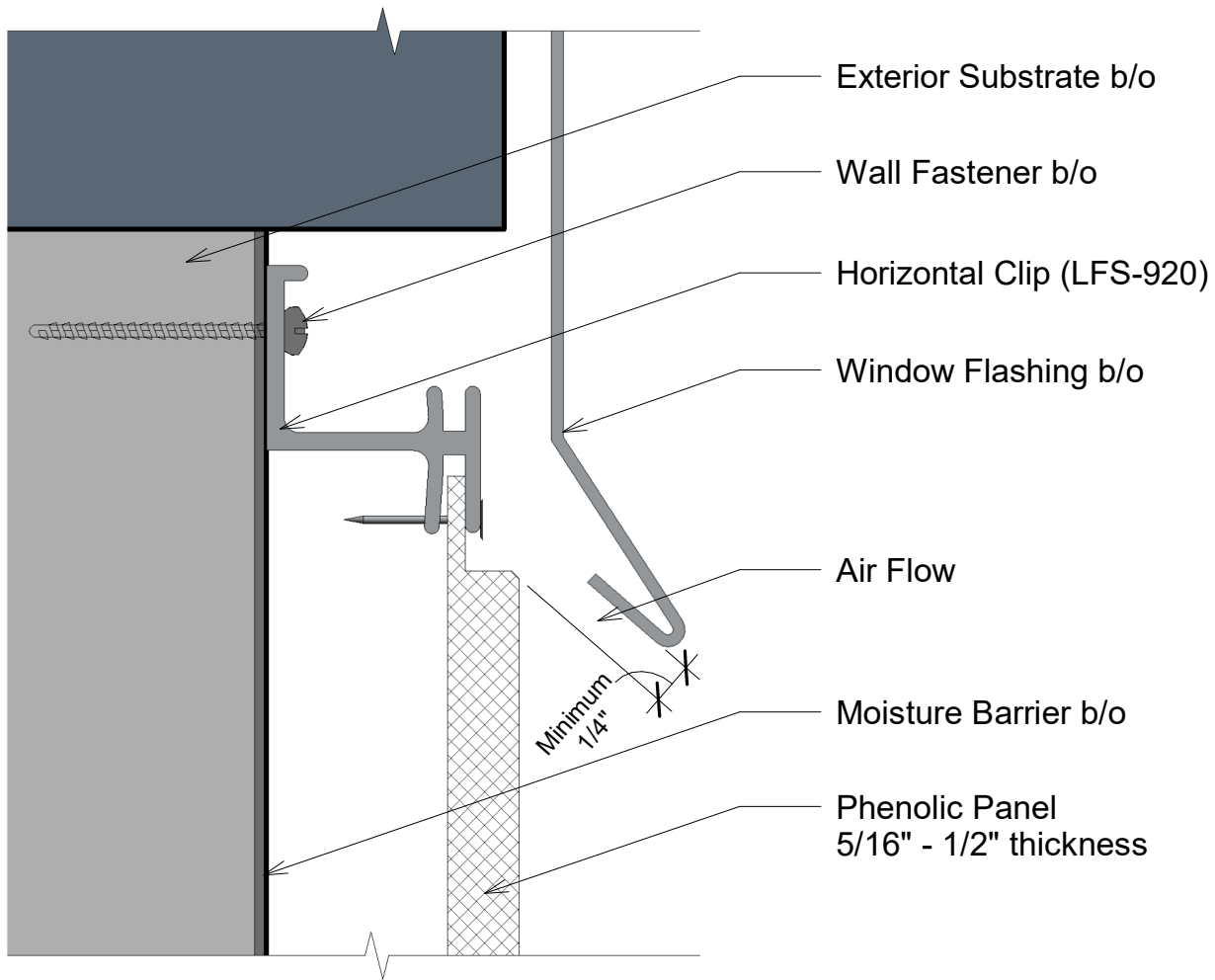


1 Section - A.1  
12" = 1'-0"

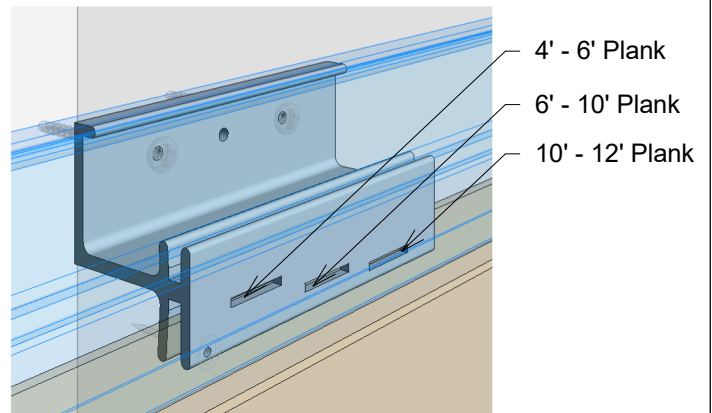


2 LFS 920 (A.1)  
Horizontal Joint Clip


Title: <b>Window Sill Detail</b>		View: <b>Section</b>	Date: <b>03/18/22</b>	 <b>Wall Panel Systems, Inc.</b> Tel: 877-333-4WPS support@wpsusa.com Web: www.wpsusa.com © 2016 Wall Panel Systems Inc.
Detail: <b>A.1</b>	System Type: <b>Flush Siding Ver. System</b>	Scale: <b>Full</b>	Draw By: <b>WPS, Inc.</b>	

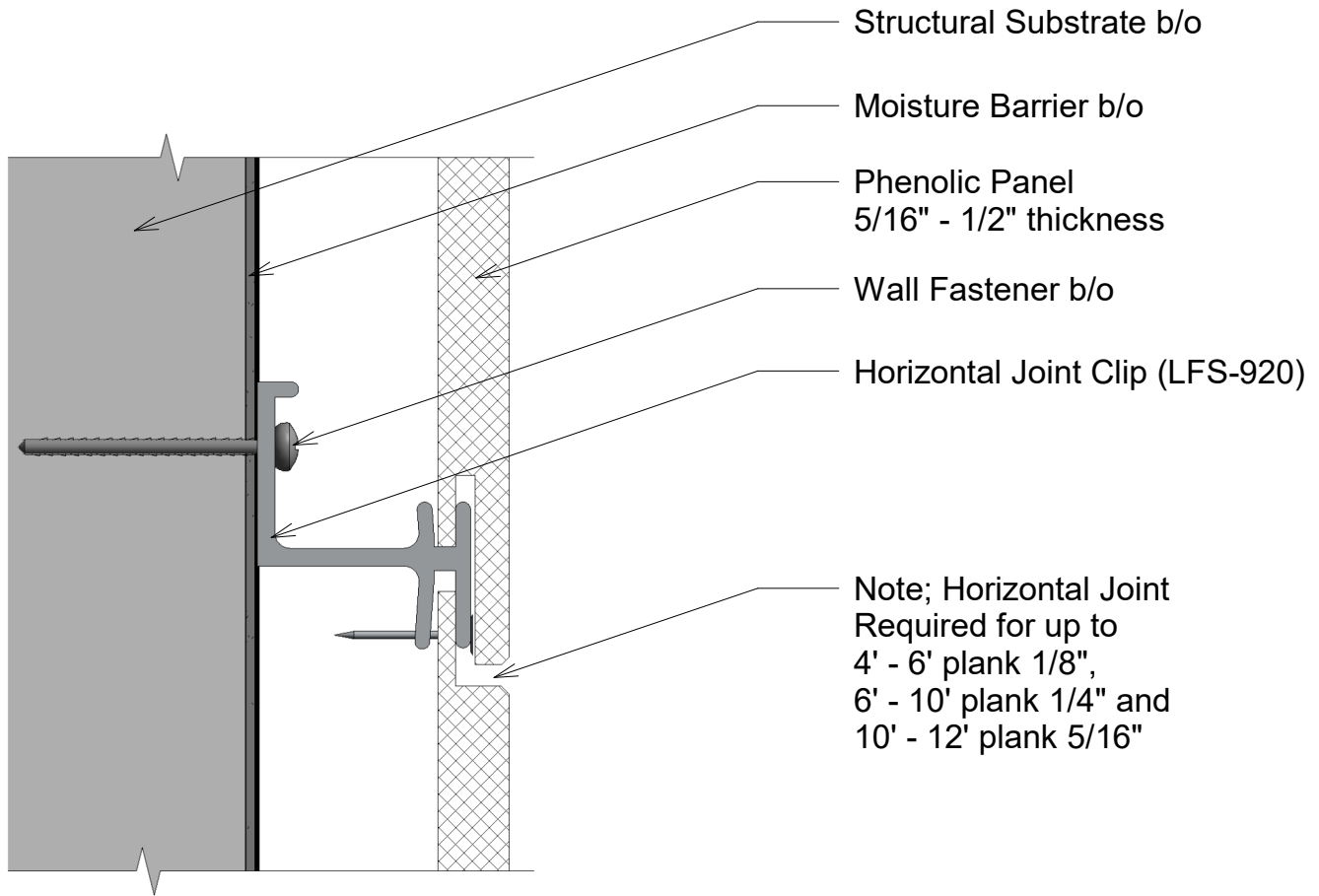


1 Section - A.2  
12" = 1'-0"

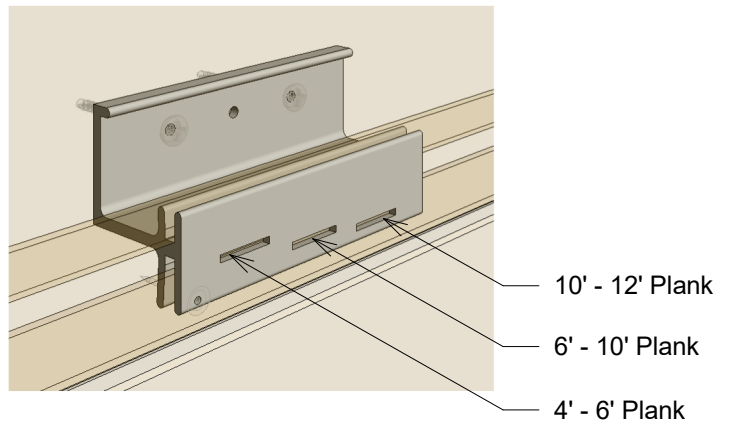


2 LFS 920 (A.2)  
Horizontal Joint Clip


Title: <b>Wall Cap Flashing</b>		View: <b>Section</b>	Date: <b>03/18/22</b>	 <b>Wall Panel Systems, Inc.</b> Tel: 877-333-4WPS support@wpsusa.com Web: www.wpsusa.com © 2016 Wall Panel Systems Inc.
Detail: <b>A.2</b>	System Type: <b>Flush Siding Ver. System</b>	Scale: <b>Full</b>	Draw By: <b>WPS, Inc.</b>	

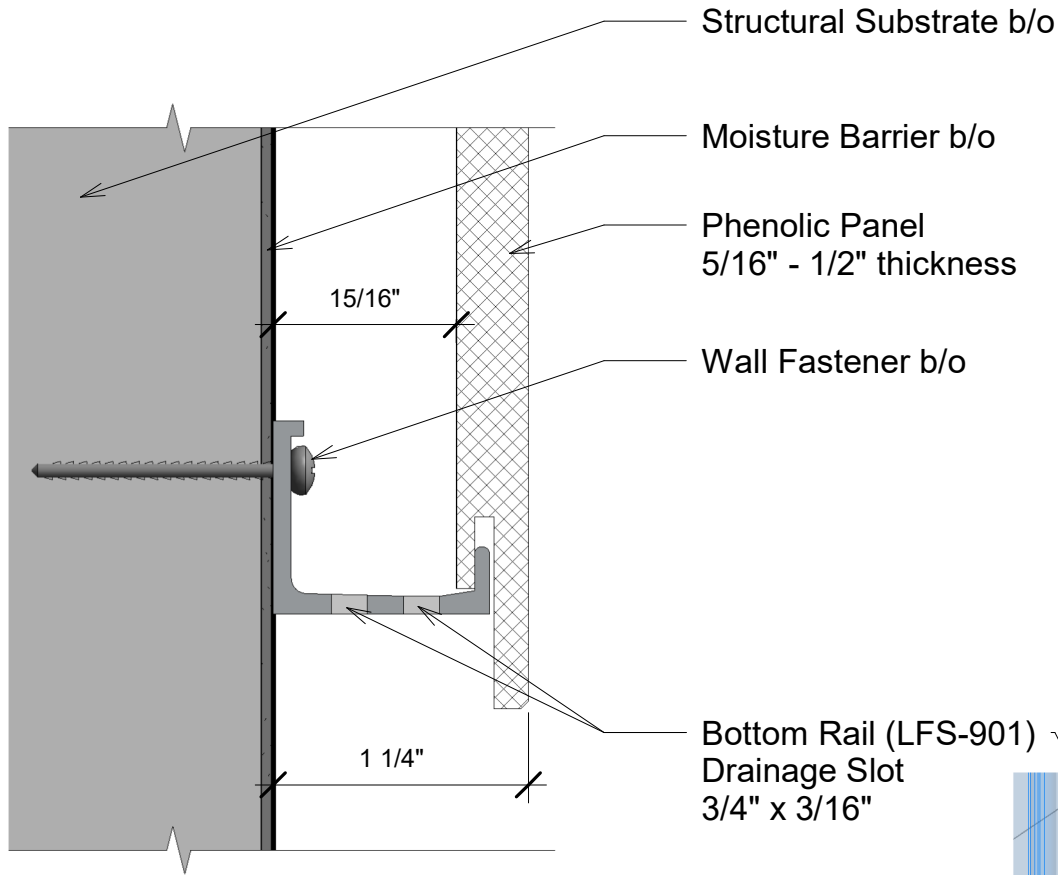


1 Section - B  
12" = 1'-0"

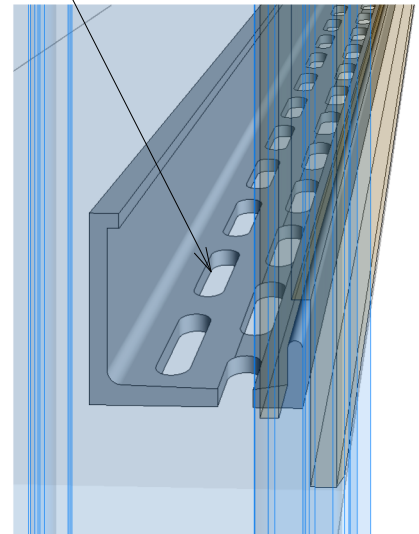


2 LFS 920 (B)  
Horizontal Joint Clip


Title: <b>Horizontal Reveal</b>		View: <b>Section</b>	Date: <b>03/18/22</b>	 <b>Wall Panel Systems, Inc.</b> Tel: 877-333-4WPS support@wpsusa.com Web: www.wpsusa.com © 2016 Wall Panel Systems Inc.
Detail: <b>B</b>	System Type: <b>Flush Siding Ver. System</b>	Scale: <b>Full</b>	Draw By: <b>WPS, Inc.</b>	

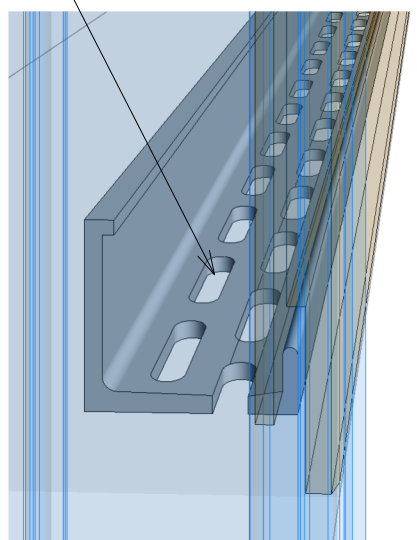
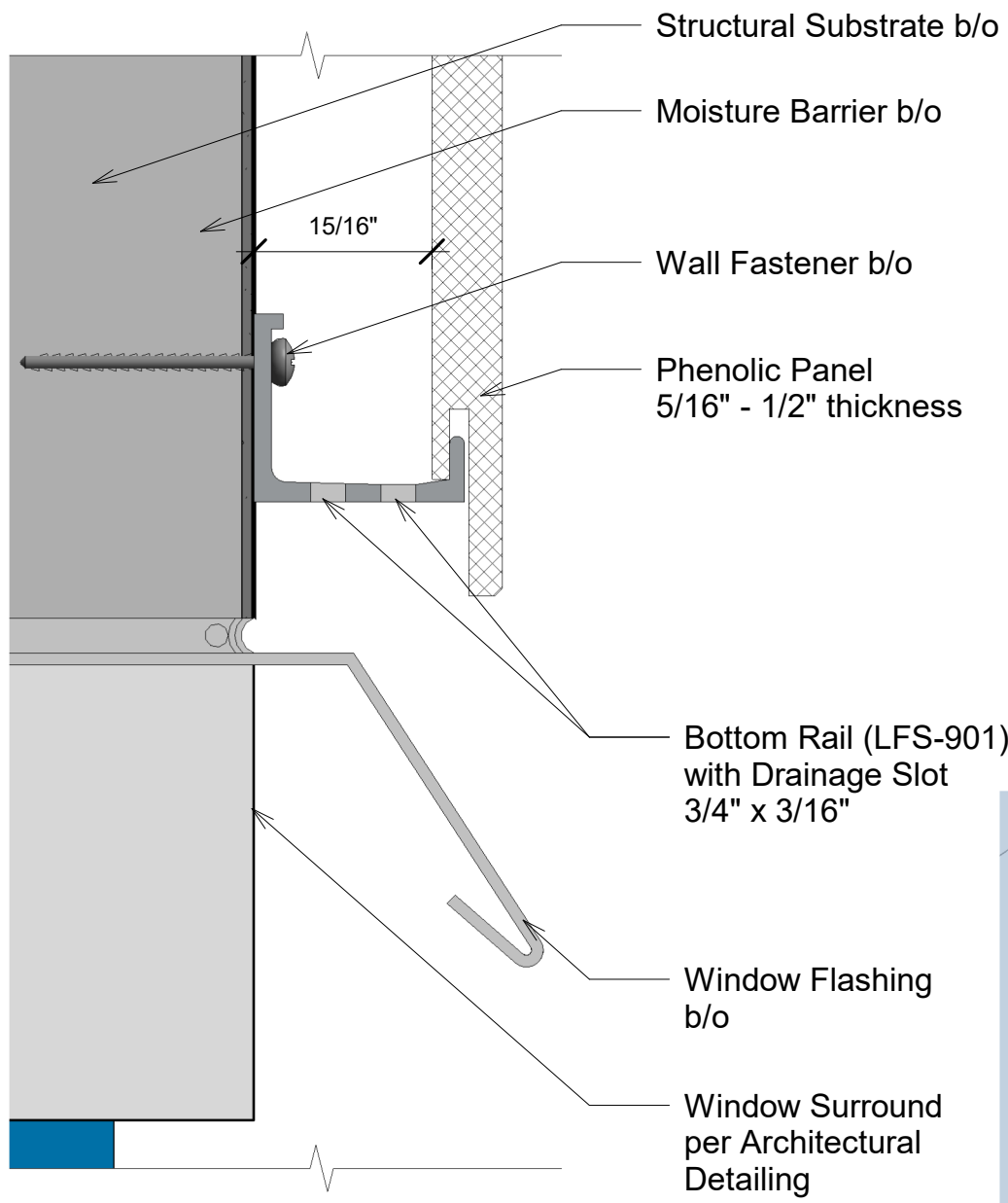


1 Section - C  
12" = 1'-0"




2 LFS 901 (C)  
Bottom Rail with Drainage Slot

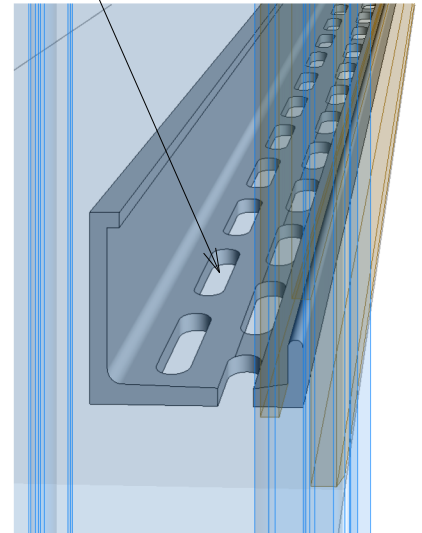
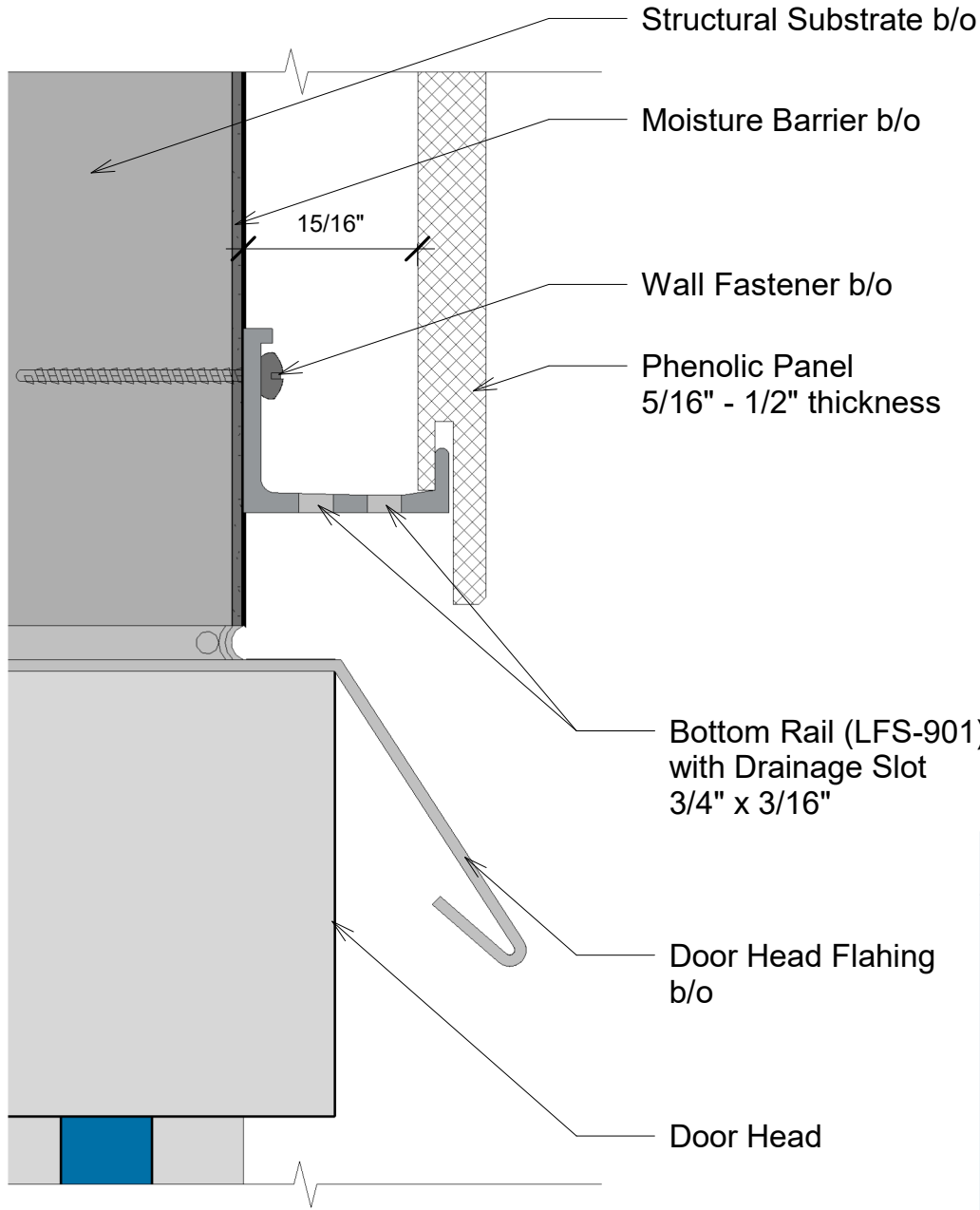
Title: <b>Bottom Edge</b>		View: <b>Section</b>	Date: <b>03/18/22</b>	 <b>Wall Panel Systems, Inc.</b> Tel: 877-333-4WPS support@wpsusa.com Web: www.wpsusa.com © 2016 Wall Panel Systems Inc.
Detail: <b>C</b>	System Type: <b>Flush Siding Ver. System</b>	Scale: <b>Full</b>	Draw By: <b>WPS, Inc.</b>	



① Section - C.1  
12" = 1'-0"


② LFS 901 (C.1)  
Bottom Rail with Drainage Slot

Title: <b>Window Head Detail</b>		View: <b>Section</b>	Date: <b>03/18/22</b>	 <b>Wall Panel Systems, Inc.</b> Tel: 877-333-4WPS support@wpsusa.com Web: www.wpsusa.com © 2016 Wall Panel Systems Inc.
Detail: <b>C.1</b>	System Type: <b>Flush Siding Ver. System</b>	Scale: <b>Full</b>	Draw By: <b>WPS, Inc.</b>	

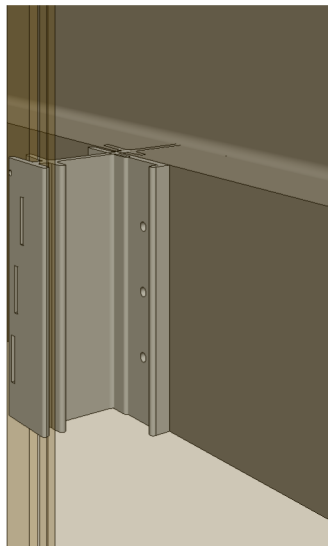
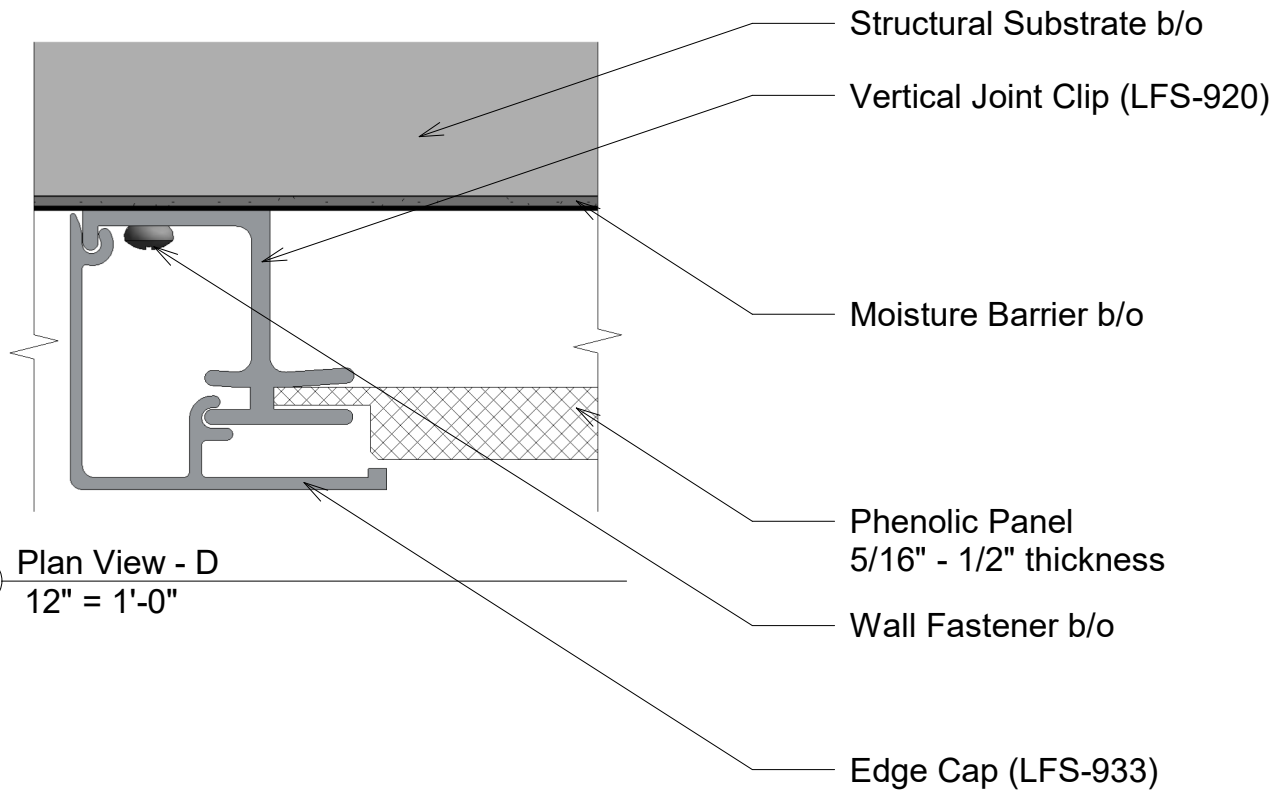


① Section - C.2  
12" = 1'-0"

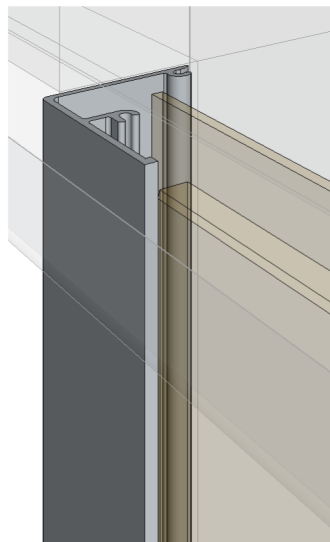
② LFS 901 (C.2)  
Bottom Rail with Drainage Slot

Title: <b>Door Head Detail</b>		View: <b>Section</b>	Date: <b>03/18/22</b>	 <b>Wall Panel Systems, Inc.</b> Tel: 877-333-4WPS support@wpsusa.com Web: www.wpsusa.com © 2016 Wall Panel Systems Inc.
Detail: <b>C.2</b>	System Type: <b>Flush Siding Ver. System</b>	Scale: <b>Full</b>	Draw By: <b>WPS, Inc.</b>	




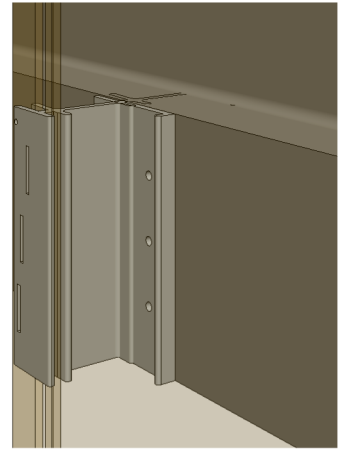
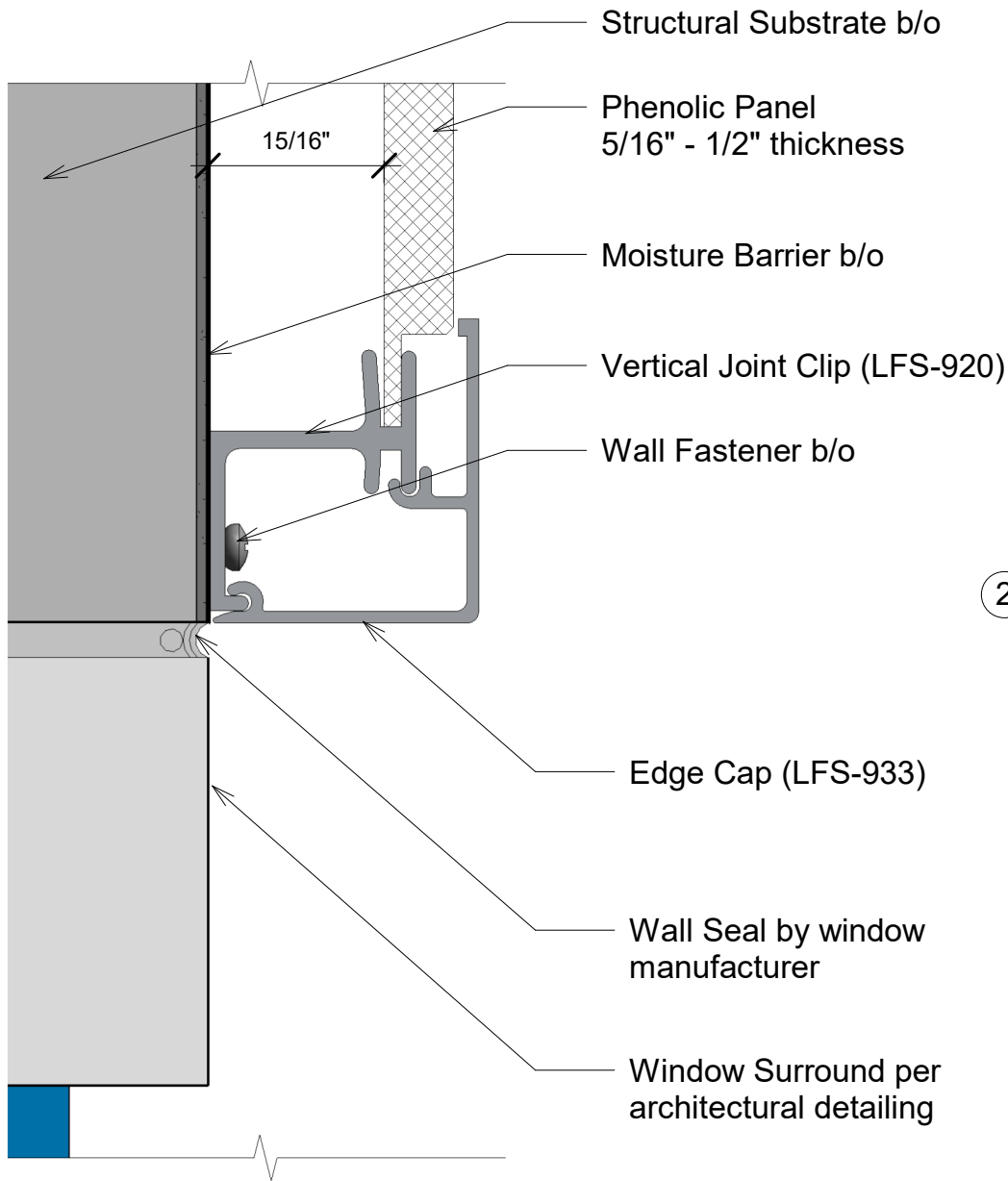


② LFS 920 (D)  
Vertical Joint Clip

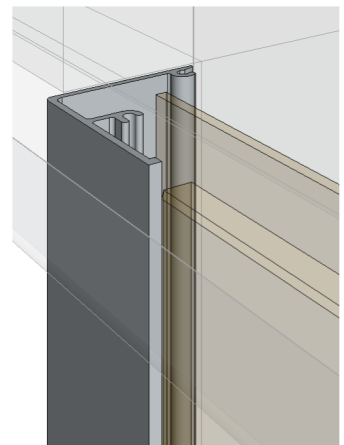


③ LFS 933 (D)  
Edge Cap

Title: <b>Vertical Edge</b>		View: <b>Plan</b>	Date: <b>03/18/22</b>	 <b>Wall Panel Systems, Inc.</b> Tel: 877-333-4WPS support@wpsusa.com Web: www.wpsusa.com © 2016 Wall Panel Systems Inc.
Detail: <b>D</b>	System Type: <b>Flush Siding Ver. System</b>	Scale: <b>Full</b>	Draw By: <b>WPS, Inc.</b>	




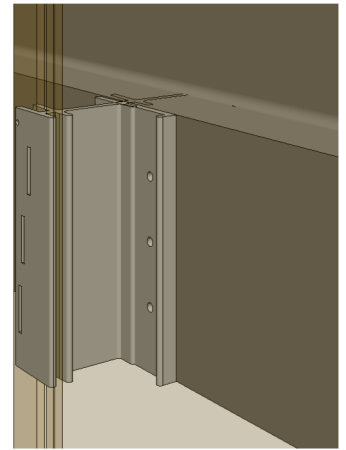
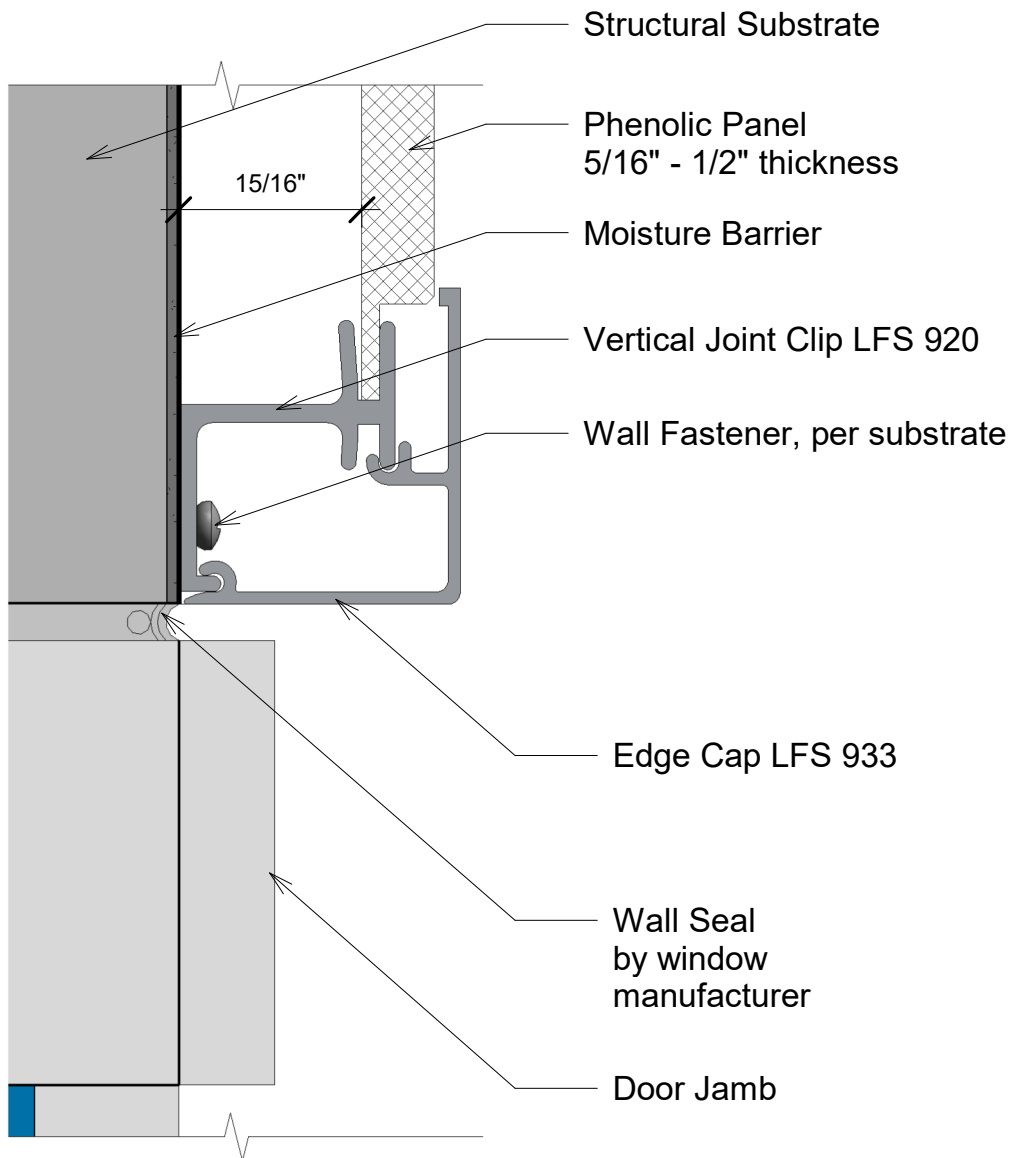
② LFS 920 (D.1)  
Vertical Joint Clip



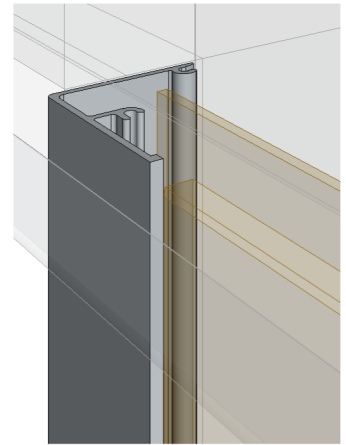
③ LFS 933 (D.1)  
Edge Cap

① Plan View - D.1  
12" = 1'-0"

Title: <b>Window Vertical Edge Detail</b>		View: <b>Plan</b>	Date: <b>03/18/22</b>	 <b>Wall Panel Systems, Inc.</b> Tel: 877-333-4WPS support@wpsusa.com Web: www.wpsusa.com © 2016 Wall Panel Systems Inc.
Detail: <b>D.1</b>	System Type: <b>Flush Siding Ver. System</b>	Scale: <b>Full</b>	Draw By: <b>WPS, Inc.</b>	




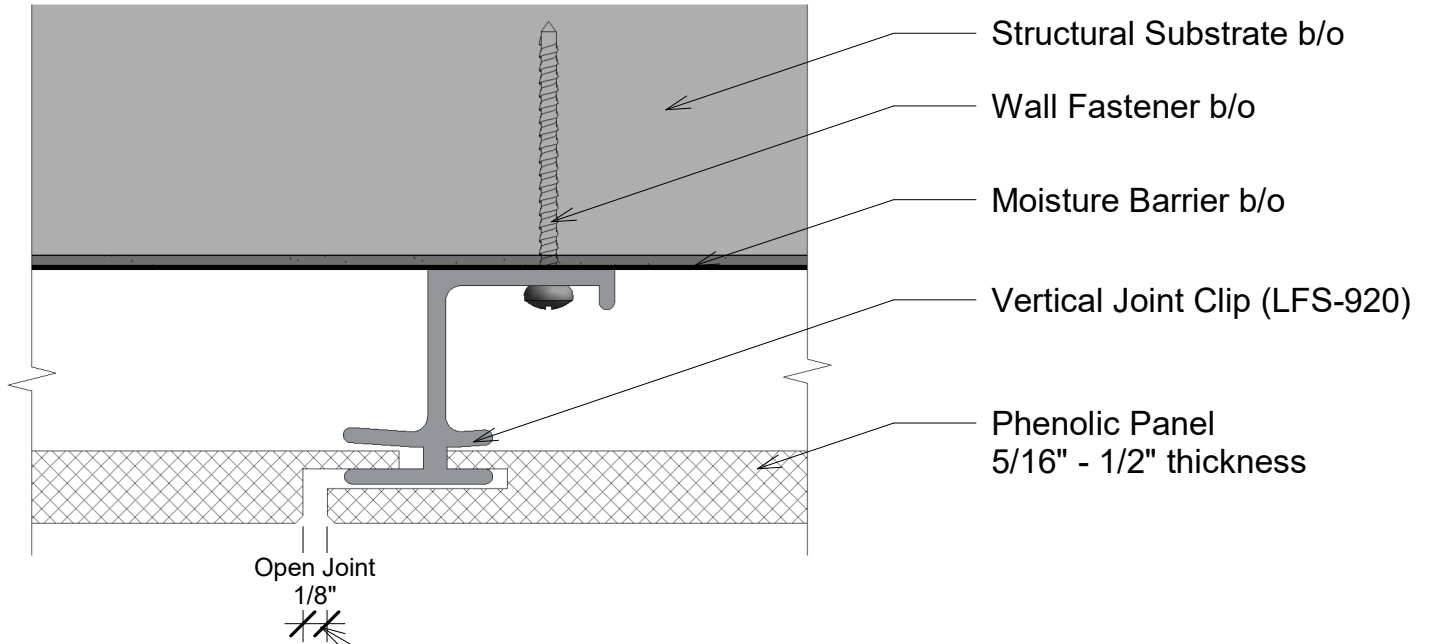
② LFS 920 (D.2)  
Edge Trim



③ LFS 933 (D.2)  
Receiver

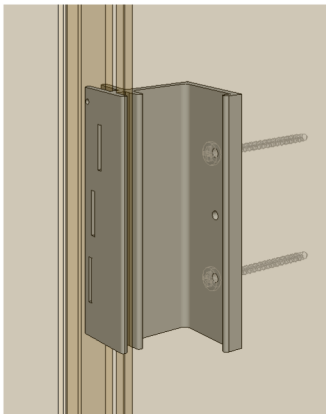
① Plan View - D.2  
12" = 1'-0"

Title: <b>Door Jamb Detail</b>		View: <b>Plan</b>	Date: <b>03/18/22</b>	 <b>Wall Panel Systems, Inc.</b> Tel: 877-333-4WPS support@wpsusa.com Web: www.wpsusa.com © 2016 Wall Panel Systems Inc.
Detail: <b>D.2</b>	System Type: <b>Flush Siding Ver. System</b>	Scale: <b>Full</b>	Draw By: <b>WPS, Inc.</b>	




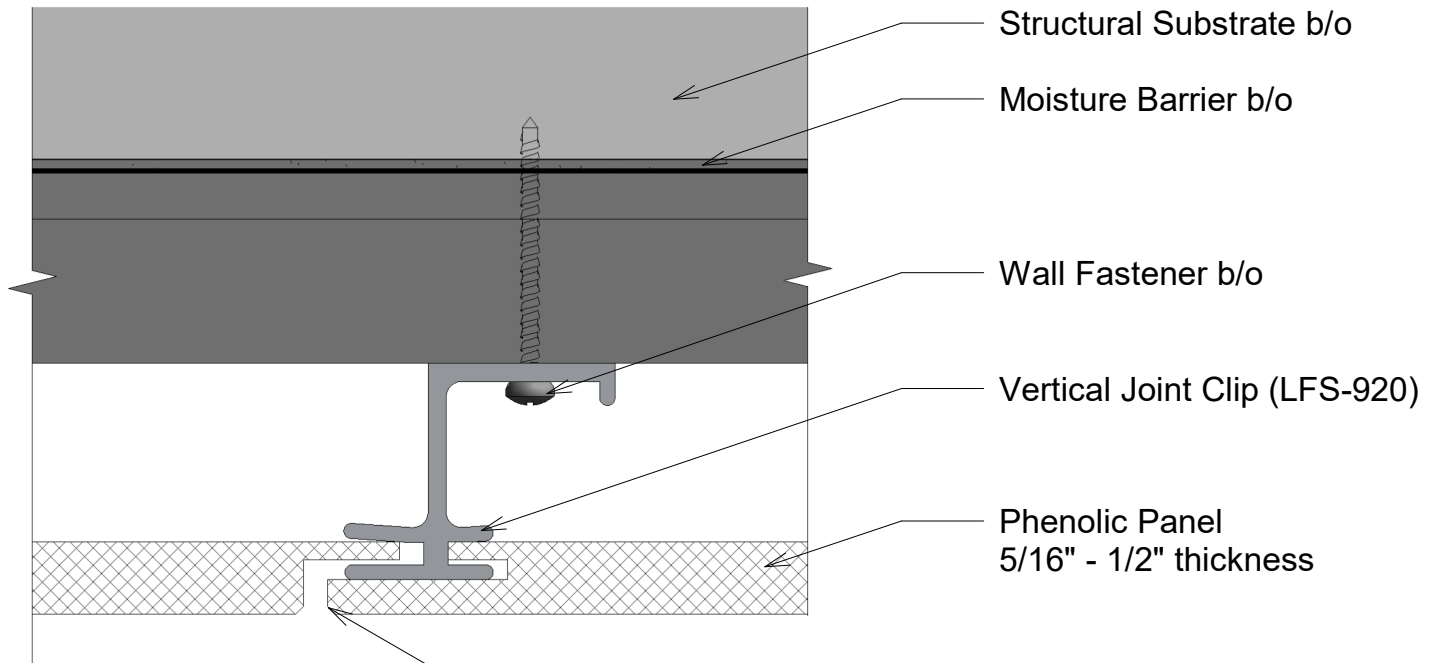
1 Plan View - E  
12" = 1'-0"

Note: Vertical Joint 1/8"



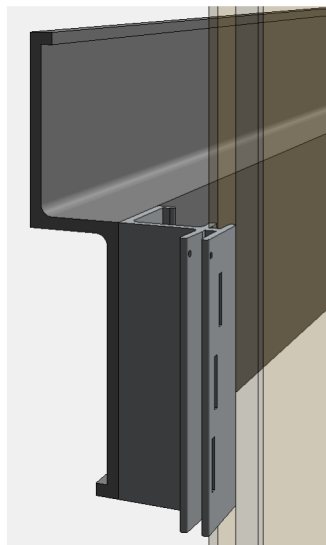
2 LFS 920 (E)  
Vertical Joint Clip

Title: <b>Vertical Reveal</b>		View: <b>Plan</b>	Date: <b>03/18/22</b>	 <b>Wall Panel Systems, Inc.</b> Tel: 877-333-4WPS support@wpsusa.com Web: www.wpsusa.com © 2016 Wall Panel Systems Inc.
Detail: <b>E</b>	System Type: <b>Flush Siding Ver. System</b>	Scale: <b>Full</b>	Draw By: <b>WPS, Inc.</b>	

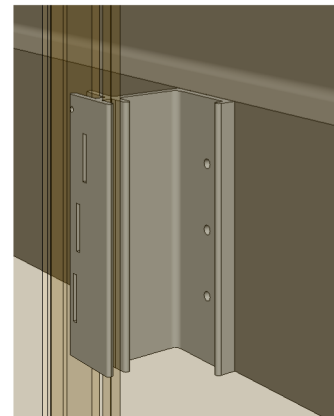


① Plan View - E.1  
12" = 1'-0"


Note: Vertical Joint 1/8"

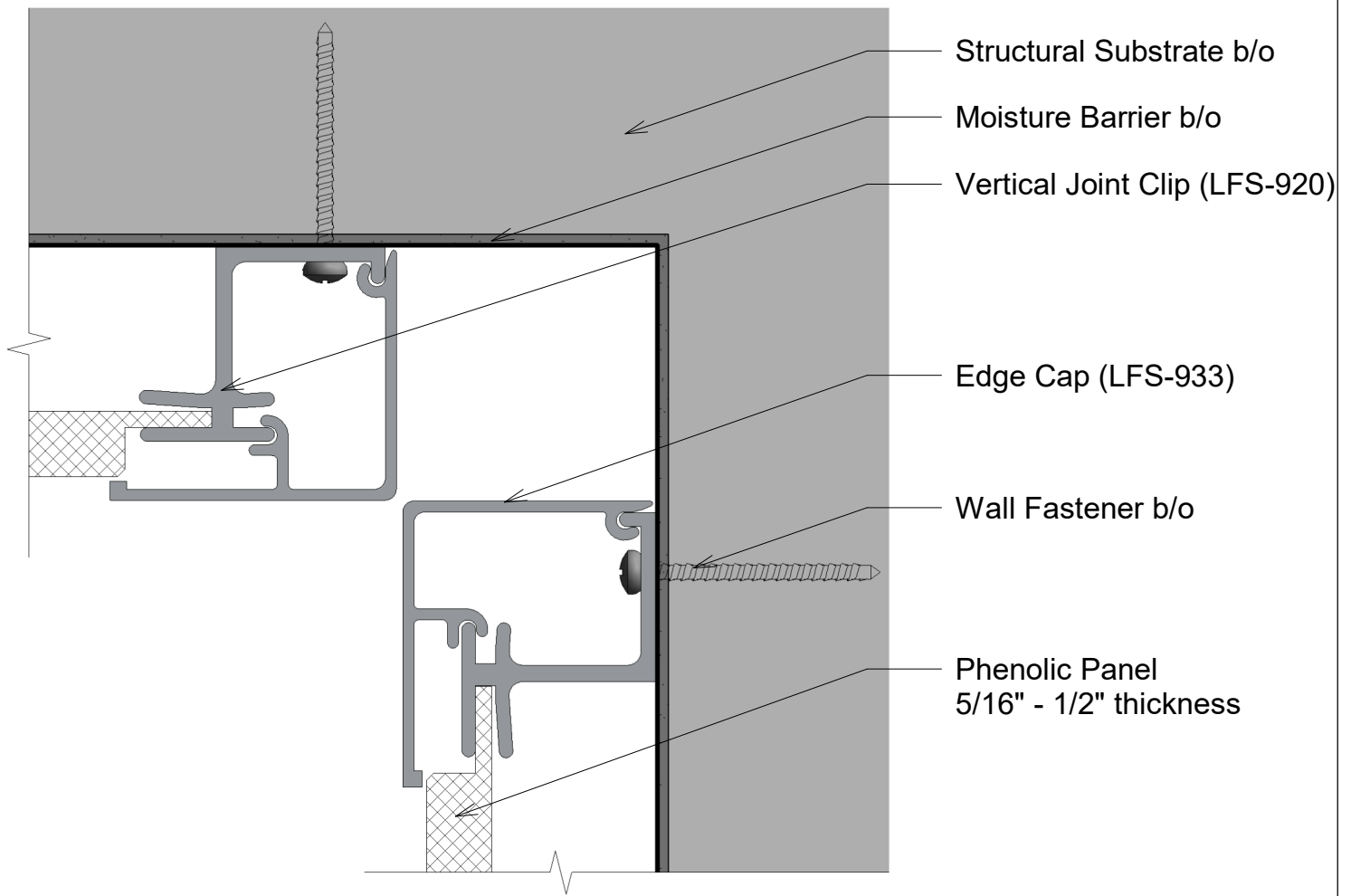


② LFS 913 (E.1)  
Z-Rail

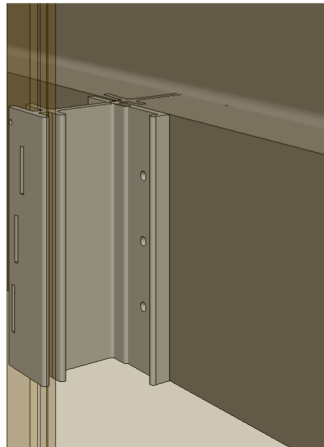


③ LFS 920 (E.1)  
Vertical Joint Clip

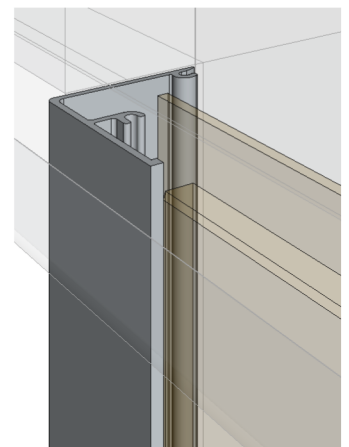
Title: <b>Vertical Reveal</b>		View: <b>Plan</b>	Date: <b>03/18/22</b>	 <b>Wall Panel Systems, Inc.</b> Tel: 877-333-4WPS support@wpsusa.com Web: www.wpsusa.com © 2016 Wall Panel Systems Inc.
Detail: <b>E.1</b>	System Type: <b>Flush Siding Ver. System</b>	Scale: <b>Full</b>	Draw By: <b>WPS, Inc.</b>	




1 Plan View - G  
12" = 1'-0"

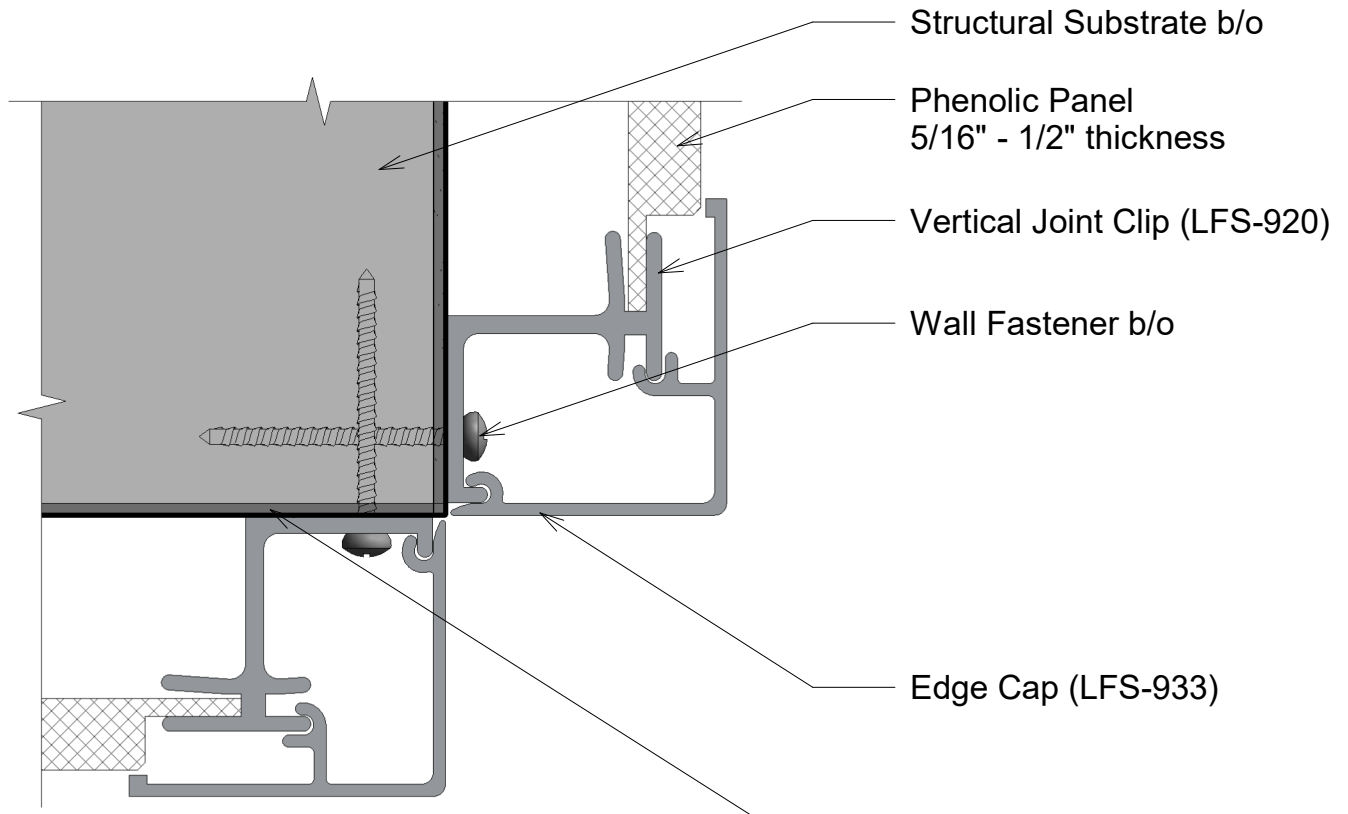


2 LFS 920 (G)  
Vertical Joint Clip



3 LFS 933 (G)  
Edge Cap

Title: <b>Inside Corner</b>		View: <b>Plan</b>	Date: <b>03/18/22</b>	 <b>Wall Panel Systems, Inc.</b> Tel: 877-333-4WPS support@wpsusa.com Web: www.wpsusa.com © 2016 Wall Panel Systems Inc.
Detail: <b>G</b>	System Type: <b>Flush Siding Ver. System</b>	Scale: <b>Full</b>	Draw By: <b>WPS, Inc.</b>	



Structural Substrate b/o

Phenolic Panel  
5/16" - 1/2" thickness

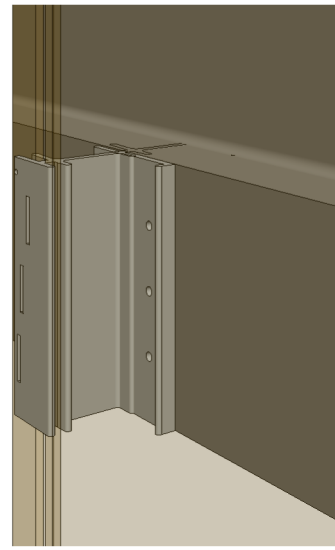
Vertical Joint Clip (LFS-920)

Wall Fastener b/o

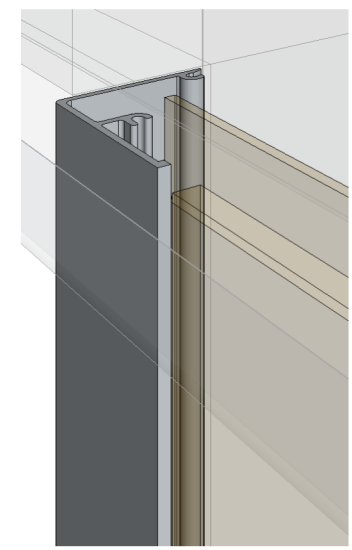
Edge Cap (LFS-933)

Moisture Barrier b/o


① Plan View - H  
12" = 1'-0"

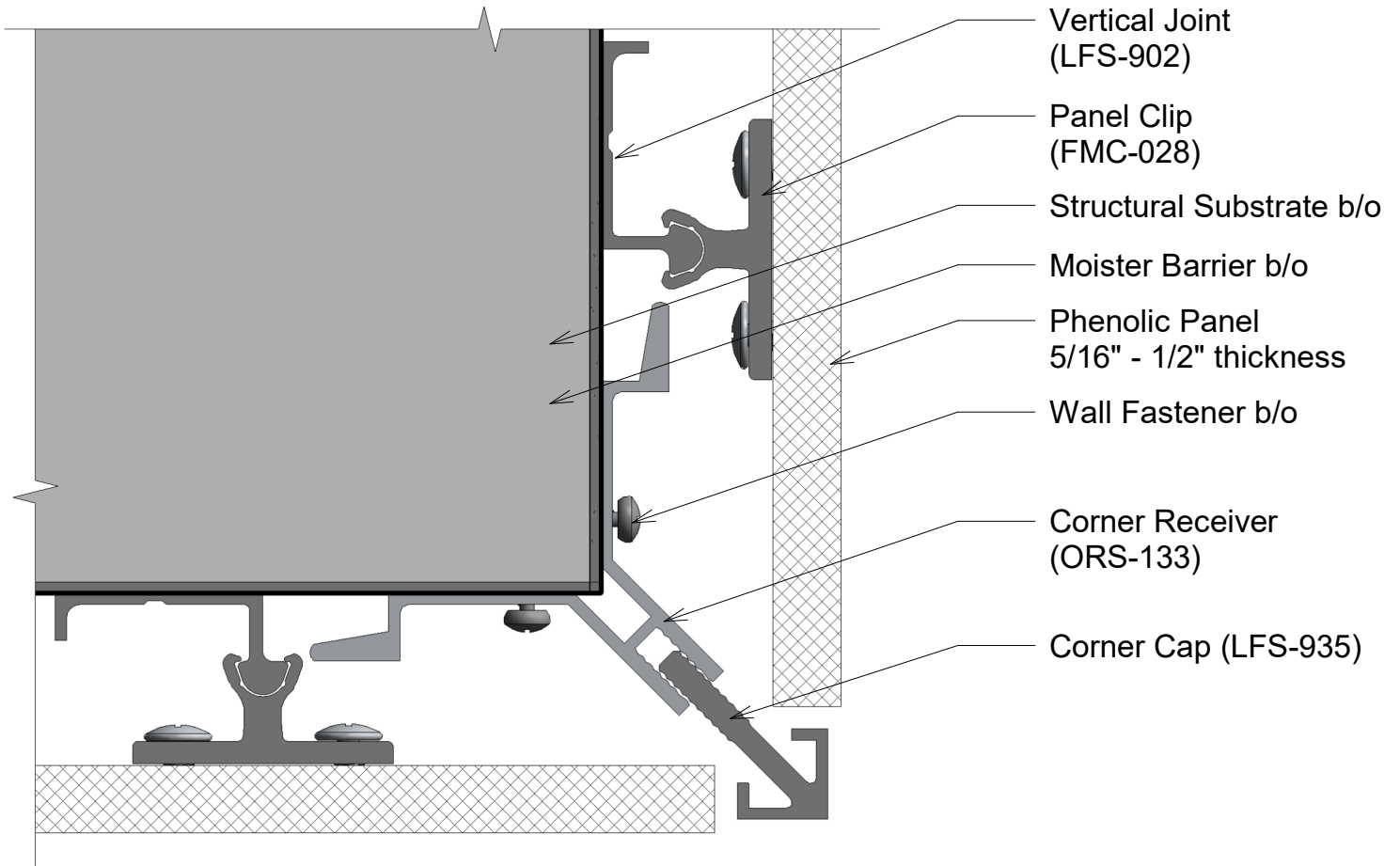


② LFS 920 (H)  
Vertical Joint Clip

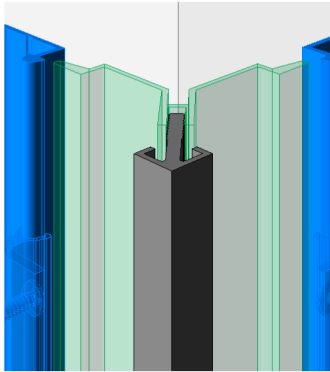


③ LFS 933 (H)  
Edge Cap

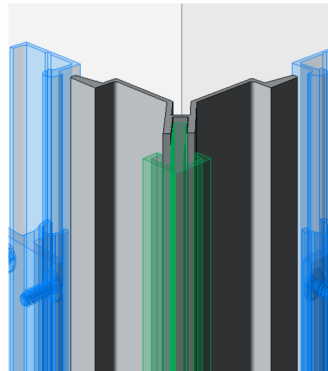
Title: <b>Outside Corner</b>		View: <b>Plan</b>	Date: <b>03/18/22</b>	 <b>Wall Panel Systems, Inc.</b> Tel: 877-333-4WPS support@wpsusa.com Web: www.wpsusa.com © 2016 Wall Panel Systems Inc.
Detail: <b>H</b>	System Type: <b>Flush Siding Ver. System</b>	Scale: <b>Full</b>	Draw By: <b>WPS, Inc.</b>	



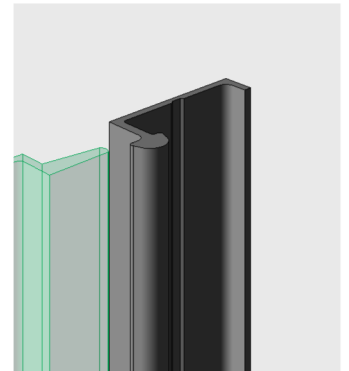
① Plan View - H.1  
12" = 1'-0"




② LFS 935 (H.1)  
Corner Cap



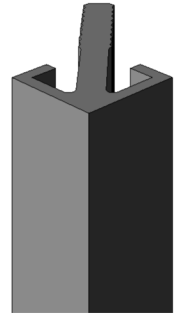
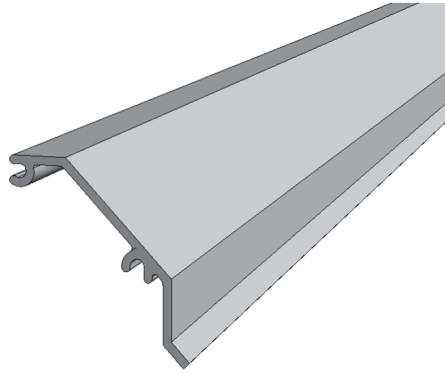
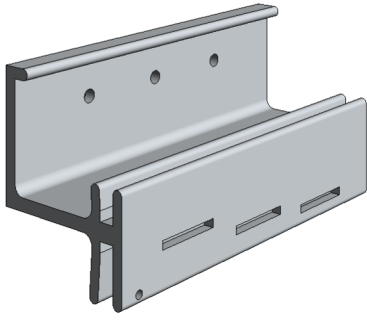
③ ORS 133 (H.1)  
Corner Receiver



④ LFS 902 (H.1)  
Edge Rail

Title: <b>Outside Corner</b>		View: <b>Plan</b>	Date: <b>03/18/22</b>	 <b>Wall Panel Systems, Inc.</b> Tel: 877-333-4WPS support@wpsusa.com Web: www.wpsusa.com © 2016 Wall Panel Systems Inc.
Detail: <b>H.1</b>	System Type: <b>Flush Siding Ver. System</b>	Scale: <b>Full</b>	Draw By: <b>WPS, Inc.</b>	

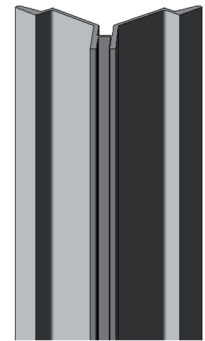
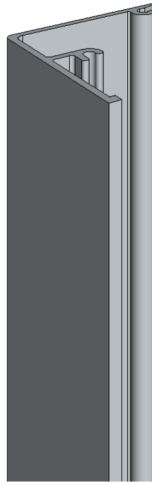
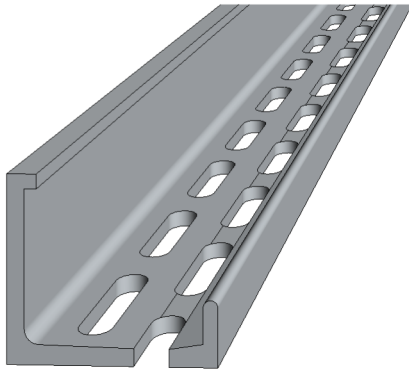




① LFS 920 (U)  
Horizontal Joint Clip

② LFS 905 (U)  
Top Cap

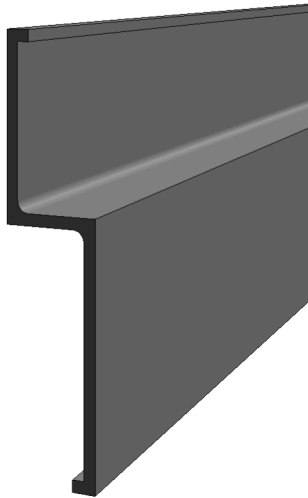
③ LFS 935 (U)  
Corner Cap



④ LFS 901 (U)  
Bottom Rail with Drainage Slot


⑥ ORS 133 (U)  
Corner Receiver

⑤ LFS 933 (U)  
Receiver



⑦ LFS 913 (U)  
Edge Rail

⑧ LFS 902 (U)  
Edge Rail

Title: <b>Parts List</b>		View: <b>3D</b>	Date: <b>03/18/22</b>	 <b>Wall Panel Systems, Inc.</b> Tel: 877-333-4WPS support@wpsusa.com Web: www.wpsusa.com © 2016 Wall Panel Systems Inc.
Detail: <b>U</b>	System Type: <b>Flush Siding Ver. System</b>	Scale: <b>N/A</b>	Draw By: <b>WPS, Inc.</b>	