
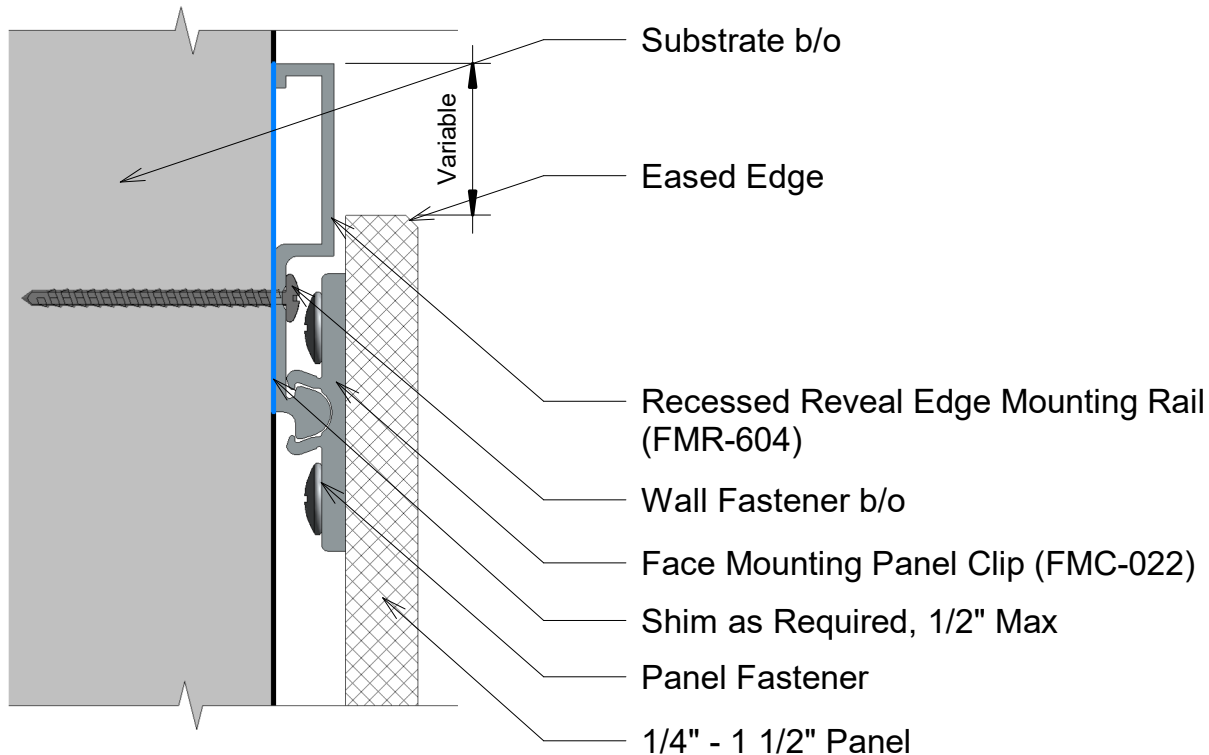
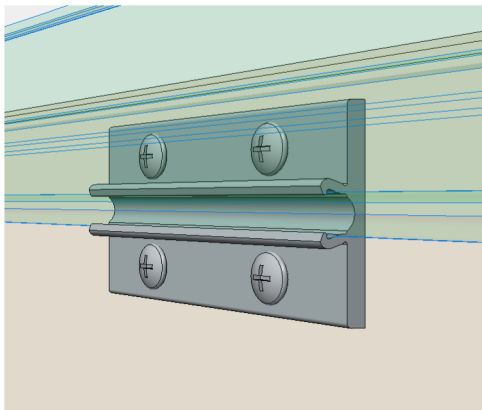


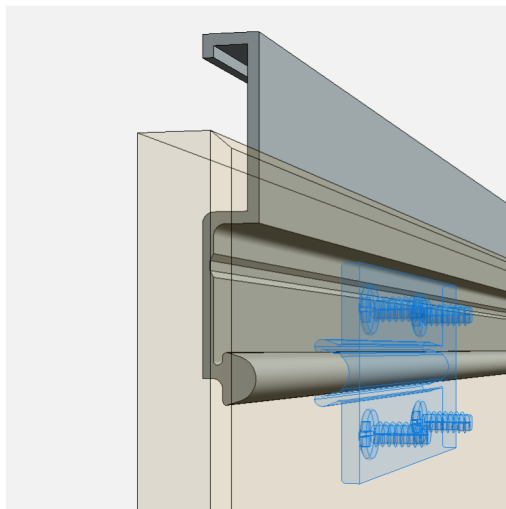
Title:		View:		Date:	
Installation Instruction 3-D Model		3D		03/18/22	
Detail:	System Type:	Scale:	Drawn By:		
0	Recessed Reveal System (Hybrid)	N/A	WPS, Inc.		
			 <b>Wall Panel System, Inc.</b> Tel: 877-333-4WPS support@wpsusa.com Web: www.wpsusa.com © 2007 Wall Panel Systems Inc.		



① Section A  
12" = 1'-0"




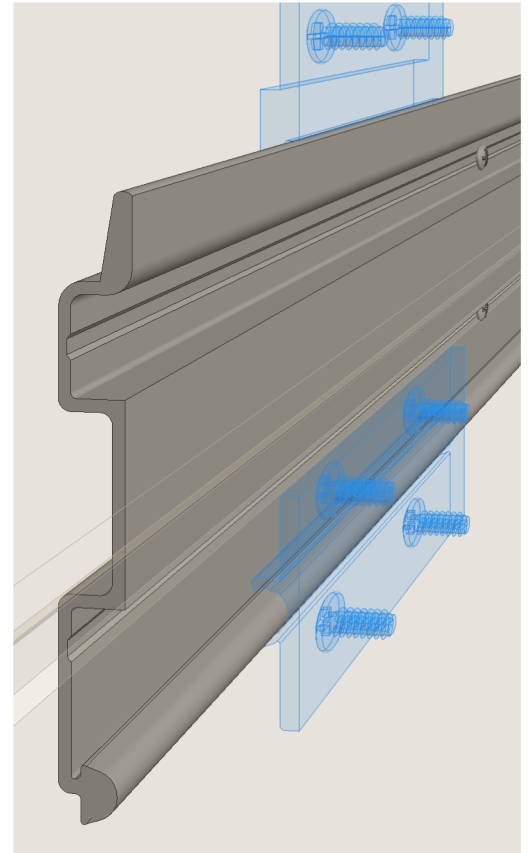
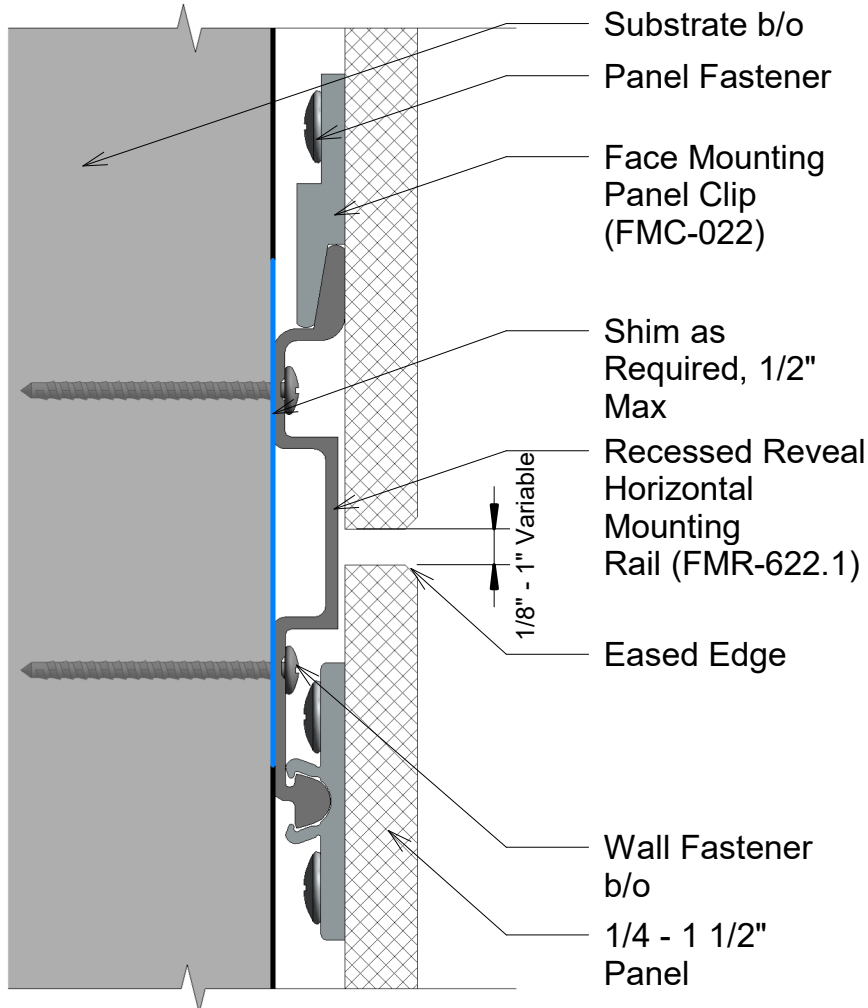
② FMC-022 (A)  
Face Mounting Panel Clip



③ FMR-604 (A)  
Recessed Reveal Edge Mounting Rail

Glass	1/4" - 1/2"
Fiber Glass	1/2"
Laminate	3/4" - 1 1/2"
Porcelain	3/4"
Phenolic	5/16" - 1/2"

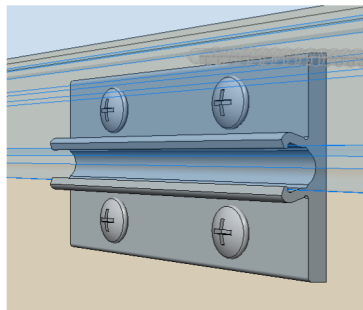
Title: <b>Top Edge at Ceiling</b>		View: <b>Section</b>	Date: <b>03/18/22</b>	 <b>Wall Panel Systems, Inc.</b> Tel: 877-333-4WPS support@wpsusa.com Web: www.wpsusa.com © 2010 Wall Panel Systems Inc.
Detail: <b>A</b>	System Type: <b>Recessed Reveal Hybrid</b>	Scale: <b>Full</b>	Draw By: <b>WPS, Inc.</b>	



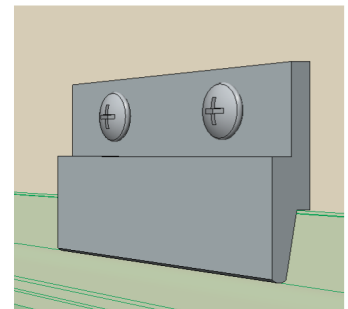
2 FMR-622.1 (B)  
Horizontal Mounting Rail

1 Section B  
12" = 1'-0"

- Glass 1/4" - 1/2"
- Fiber Glass 1/2"
- Laminate 3/4" - 1 1/2"
- Porcelain 3/4"
- Phenolic 5/16" - 1/2"

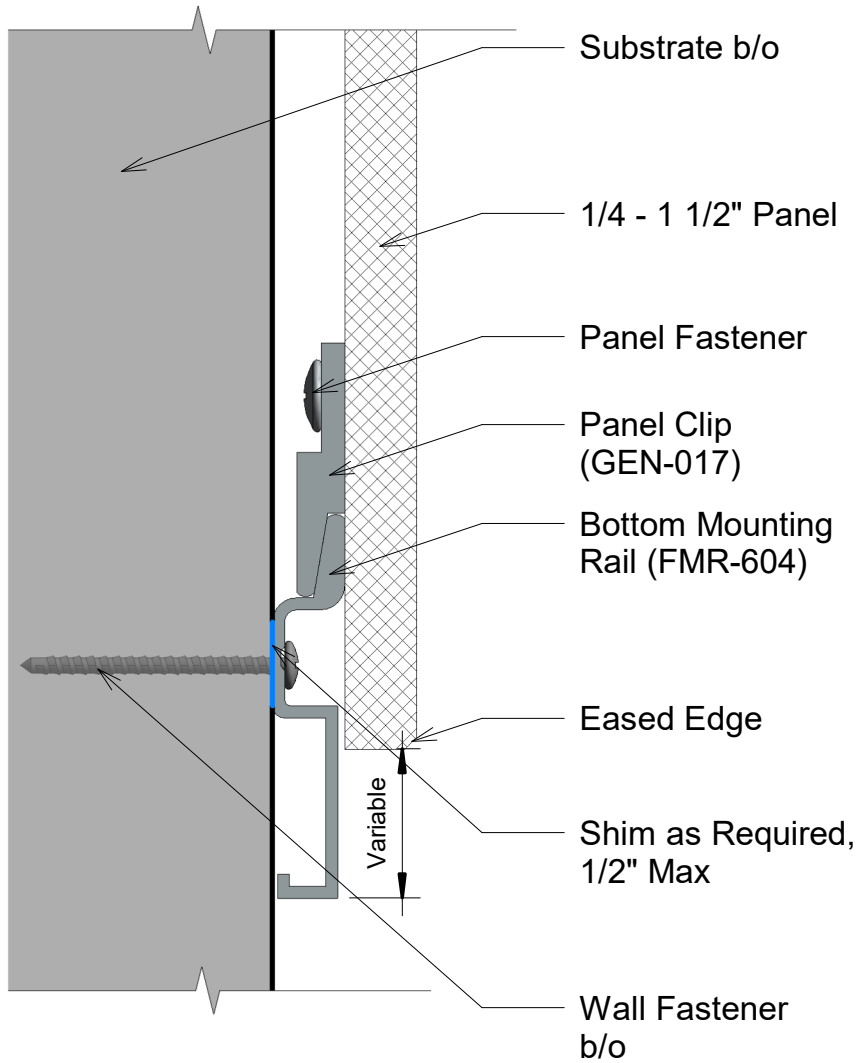


3 FMC-022 (B)  
Face Mounting Panel Clip

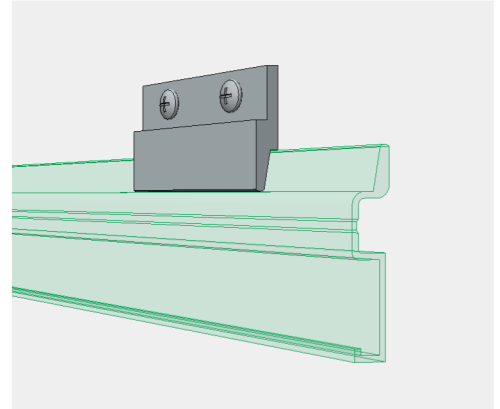


4 FMC-022 (B) Copy 1

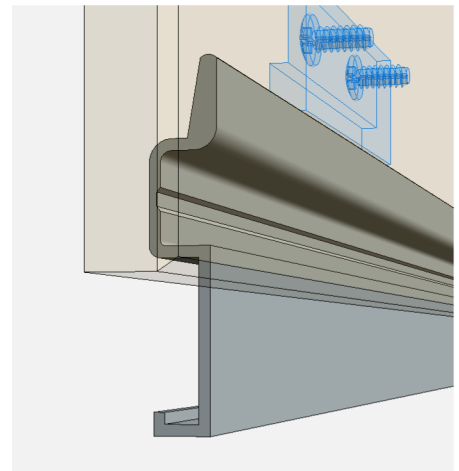
Title: <b>Horizontal Joint</b>		View: <b>Section</b>	Date: <b>03/18/22</b>	 Wall Panel Systems, Inc. Tel: 877-333-4WPS support@wpsusa.com Web: www.wpsusa.com © 2010 Wall Panel Systems Inc.
Detail: <b>B</b>	System Type: <b>Recessed Reveal Hybrid</b>	Scale: <b>Full</b>	Draw By: <b>WPS, Inc.</b>	



1 Section C  
12" = 1'-0"




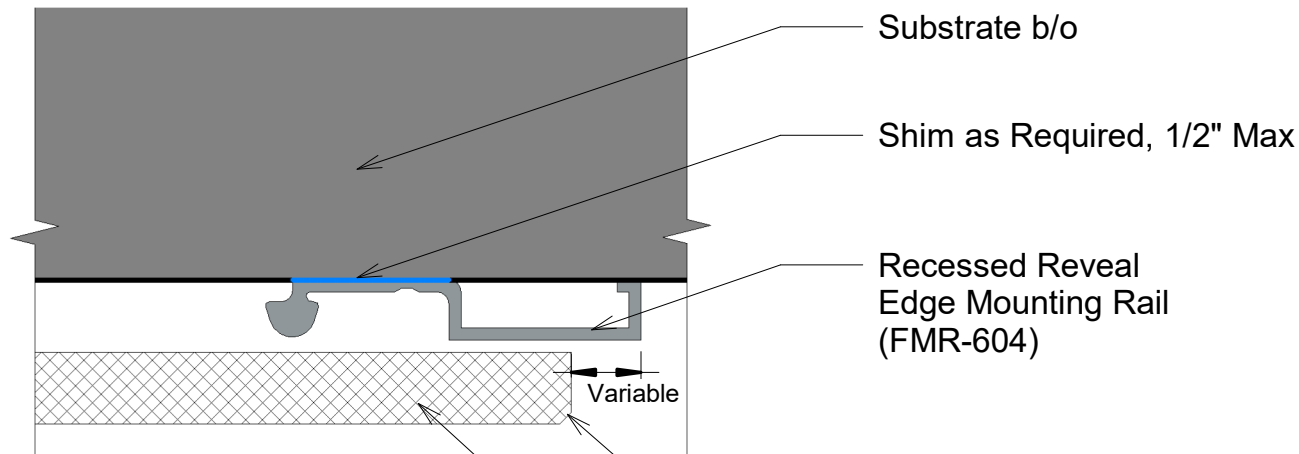
2 GEN-017 (C)  
Face Mounting Panel Clip



3 FMR-604 (C)  
Bottom Mounting Rail

Glass	1/4" - 1/2"
Fiber Glass	1/2"
Laminate	3/4" - 1 1/2"
Porcelain	3/4"
Phenolic	5/16" - 1/2"

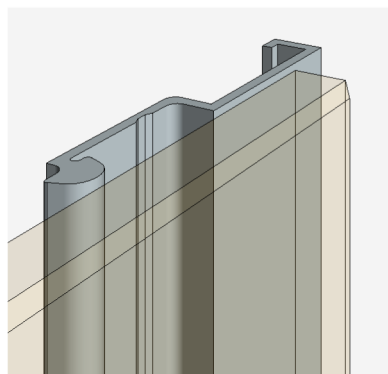
Title: <b>Bottom Rail</b>		View: <b>Section</b>	Date: <b>03/18/22</b>	 <b>Wall Panel Systems, Inc.</b> Tel: 877-333-4WPS support@wpsusa.com Web: www.wpsusa.com © 2010 Wall Panel Systems Inc.
Detail: <b>C</b>	System Type: <b>Recessed Reveal Hybrid</b>	Scale: <b>Full</b>	Draw By: <b>WPS, Inc.</b>	



1 Plan View - D  
12" = 1'-0"


Eased Edge

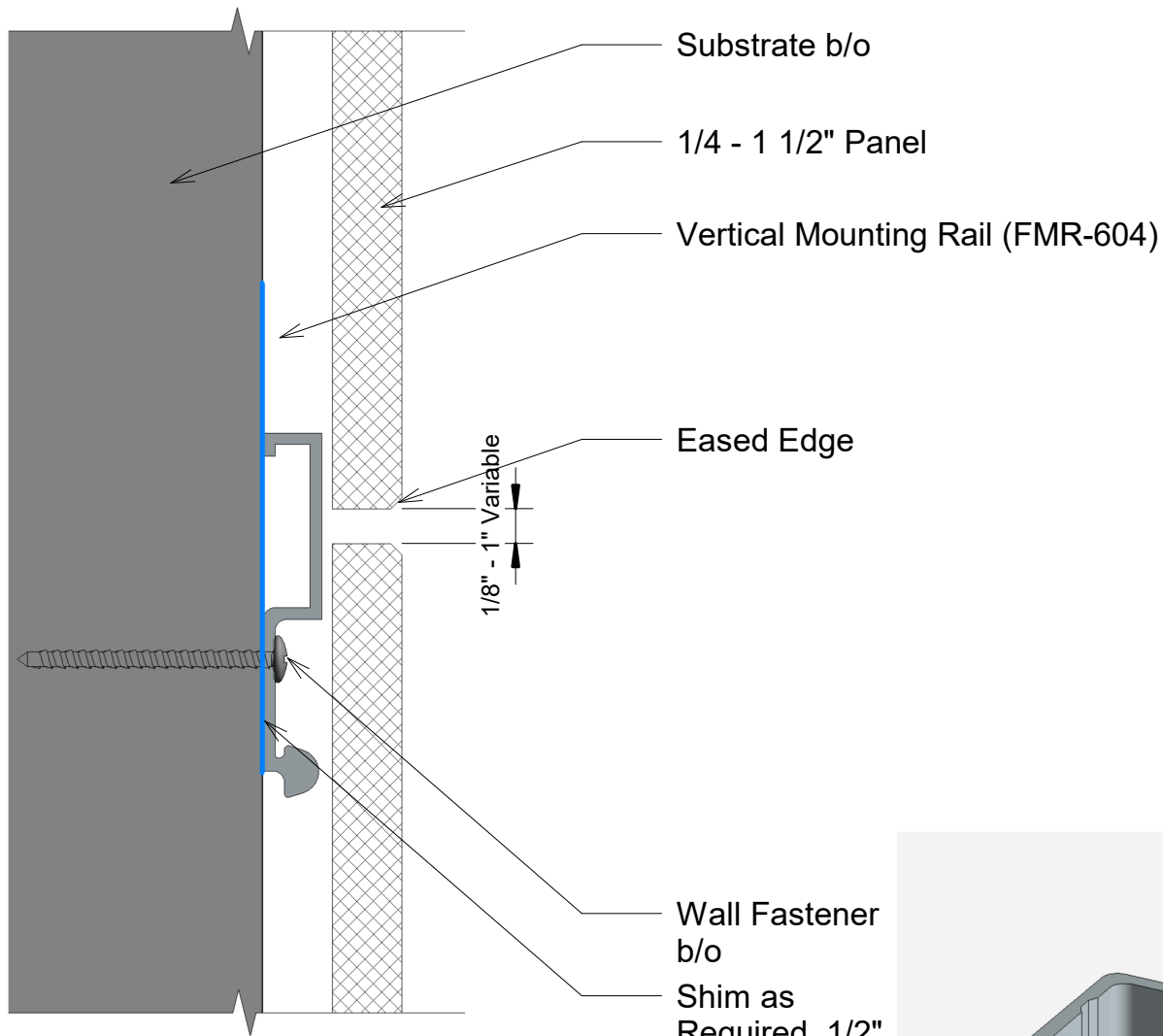
1/4 - 1 1/2" Panel



2 FMR-604 (D)  
Vertical Edge Mounting Rail

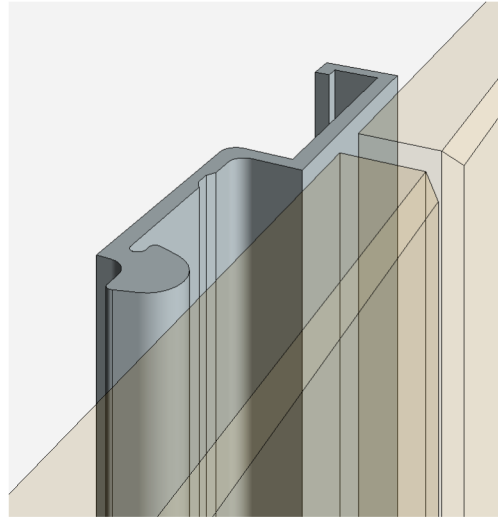
- Glass 1/4" - 1/2"
- Fiber Glass 1/2"
- Laminate 3/4" - 1 1/2"
- Porcelain 3/4"
- Phenolic 5/16" - 1/2"

Title: <b>Vertical Edge Detail</b>		View: <b>Plan</b>	Date: <b>03/18/22</b>	 <b>Wall Panel Systems, Inc.</b> Tel: 877-333-4WPS support@wpsusa.com Web: www.wpsusa.com © 2010 Wall Panel Systems Inc.
Detail: <b>D</b>	System Type: <b>Recessed Reveal Hybrid</b>	Scale: <b>Full</b>	Draw By: <b>WPS, Inc.</b>	



1 Plan View - E  
12" = 1'-0"

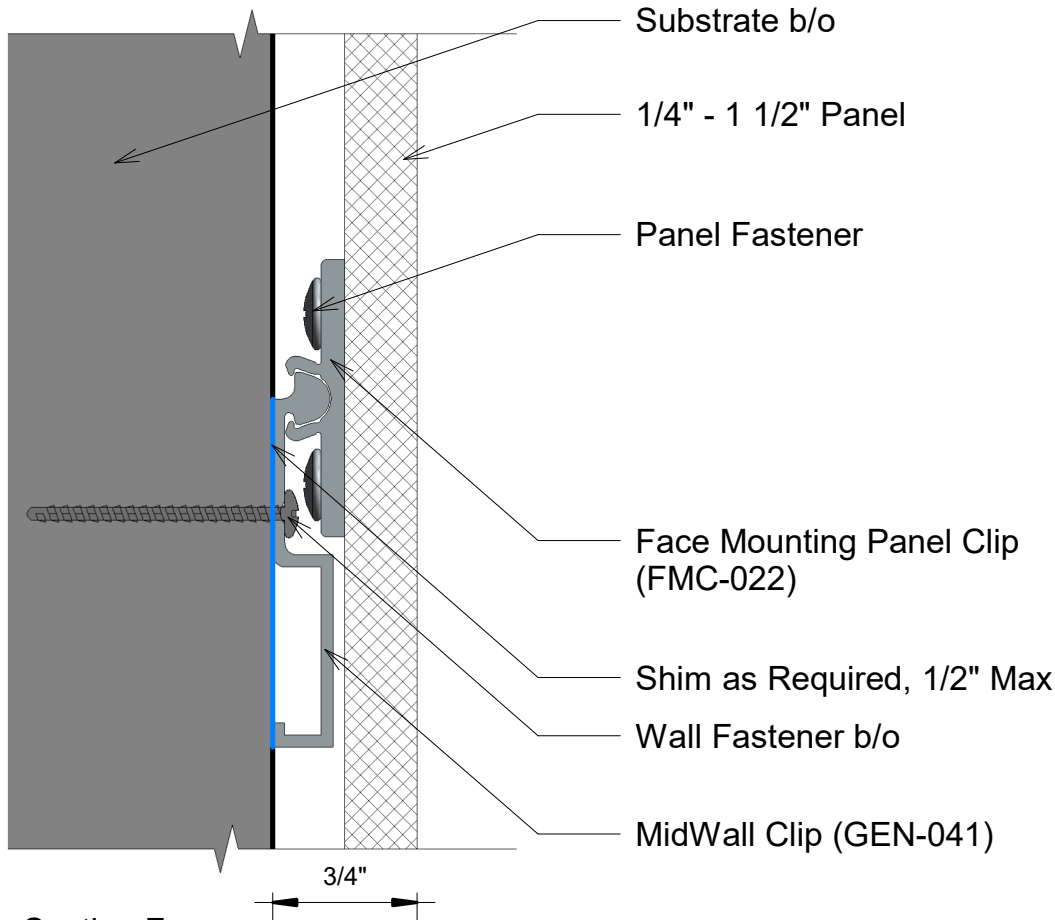
Glass	1/4" - 1/2"
Fiber Glass	1/2"
Laminate	3/4" - 1 1/2"
Porcelain	3/4"
Phenolic	5/16" - 1/2"



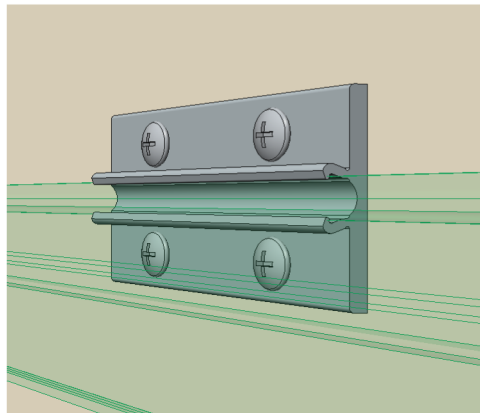
2 FMR-604 (E)  
Vertical Mounting Rail

Title: <b>Vertical Joint Detail</b>		View: <b>Plan</b>	Date: <b>03/18/22</b>	 Wall Panel Systems, Inc. Tel: 877-333-4WPS support@wpsusa.com Web: www.wpsusa.com © 2016 Wall Panel Systems Inc.
Detail: <b>E</b>	System Type: <b>Recessed Reveal Hybrid</b>	Scale: <b>Full</b>	Draw By: <b>WPS, Inc.</b>	

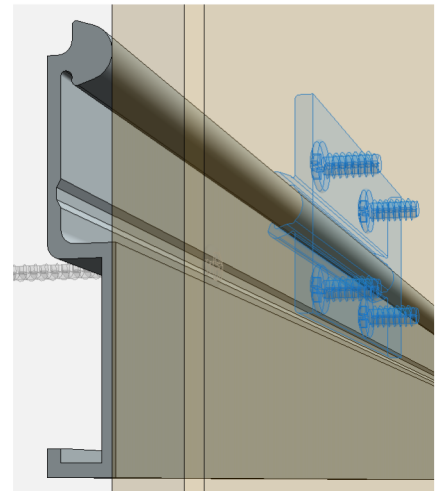
RRS can be utilized with, Glass, Fiber Glass, Laminate, Porcelain, Phenolic and Wood Panels



1 Section F  
12" = 1'-0"



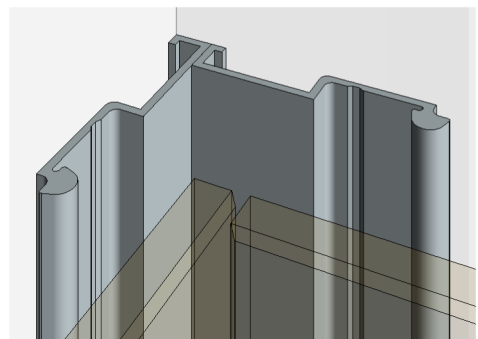
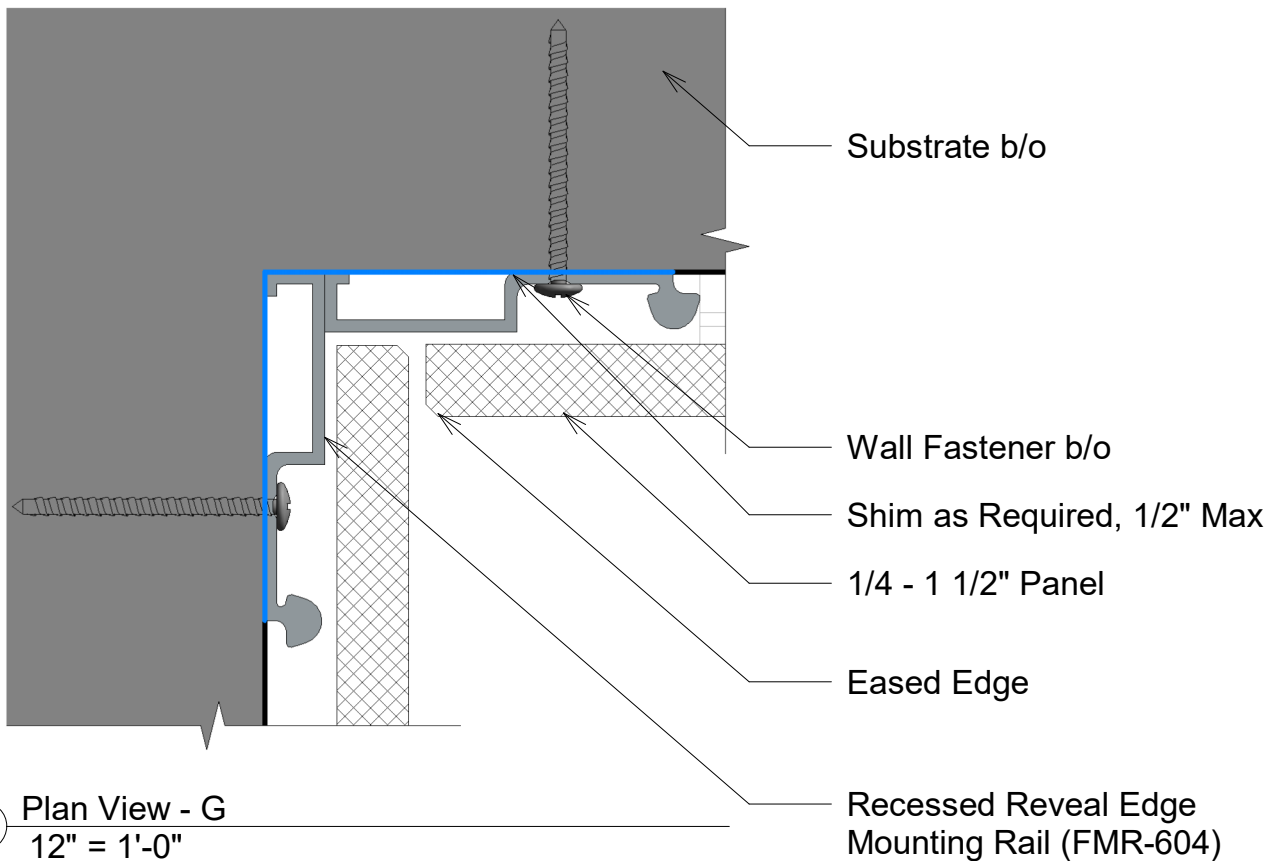
2 FMC-022 (F)  
Face Mounting Panel Clip



3 GEN-041 (F)  
MidWall Clip

Glass	1/4" - 1/2"
Fiber Glass	1/2"
Laminate	3/4" - 1 1/2"
Porcelain	3/4"
Phenolic	5/16" - 1/2"

Title: <b>MidWall Clip</b>		View: <b>Section</b>	Date: <b>03/18/22</b>	 Wall Panel Systems, Inc. Tel: 877-333-4WPS support@wpsusa.com Web: www.wpsusa.com © 2016 Wall Panel Systems Inc.
Detail: <b>F</b>	System Type: <b>Recessed Reveal Hybrid</b>	Scale: <b>Full</b>	Draw By: <b>WPS, Inc.</b>	

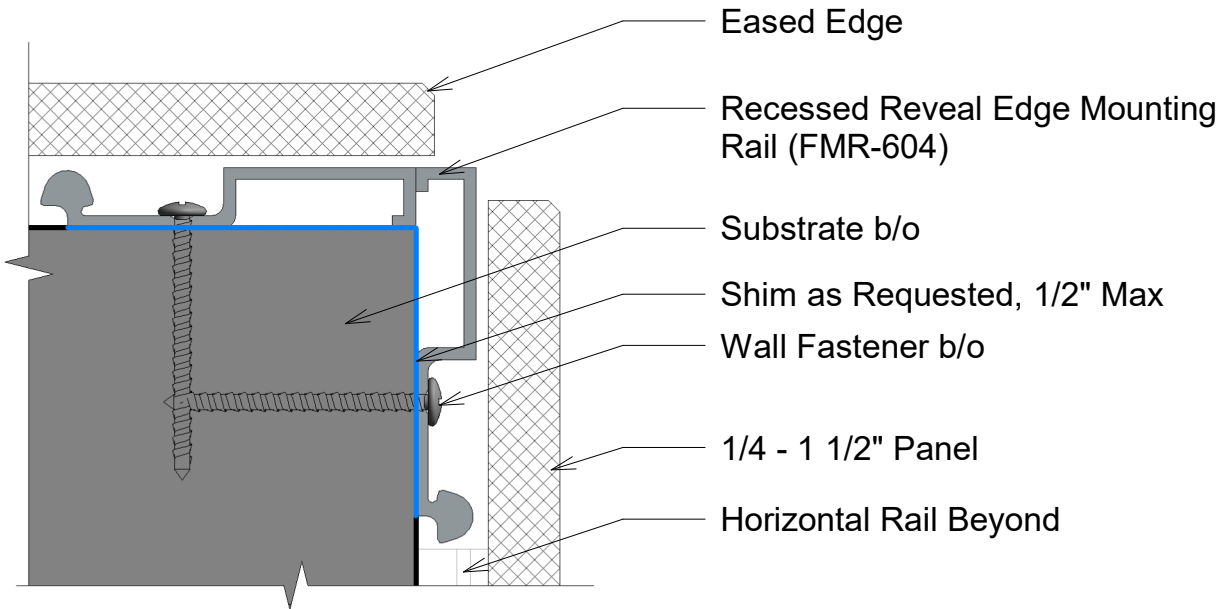


2 FMR-604 (G)  
Inside Corner

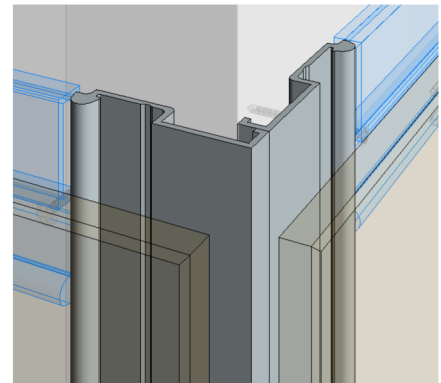
Glass	1/4" - 1/2"
Fiber Glass	1/2"
Laminate	3/4" - 1 1/2"
Porcelain	3/4"
Phenolic	5/16" - 1/2"

Title: <b>Inside Corner</b>		View: <b>Plan</b>	Date: <b>03/18/22</b>	 <b>Wall Panel Systems, Inc.</b> Tel: 877-333-4WPS support@wpsusa.com Web: www.wpsusa.com © 2016 Wall Panel Systems Inc.
Detail: <b>G</b>	System Type: <b>Recessed Reveal Hybrid</b>	Scale: <b>Full</b>	Draw By: <b>WPS, Inc.</b>	





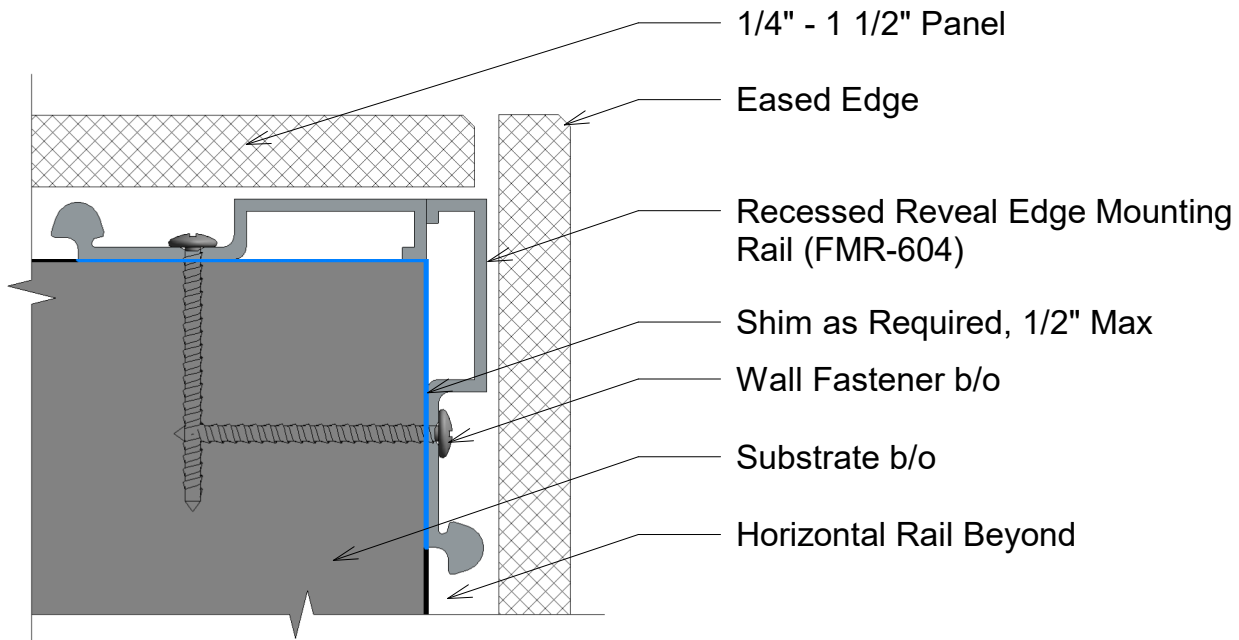
① Plan View - H  
12" = 1'-0"



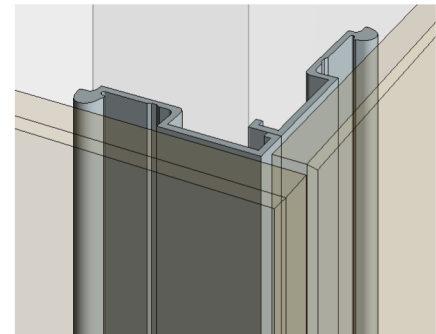
② FMR-604 (H)  
Outside Corner Open

- Glass 1/4" - 1/2"
- Fiber Glass 1/2"
- Laminate 3/4" - 1 1/2"
- Porcelain 3/4"
- Phenolic 5/16" - 1/2"

Title: <b>Outside Corner Open</b>		View: <b>Plan</b>	Date: <b>03/18/22</b>	 <b>Wall Panel Systems, Inc.</b> Tel: 877-333-4WPS support@wpsusa.com Web: www.wpsusa.com © 2016 Wall Panel Systems Inc.
Detail: <b>H</b>	System Type: <b>Recessed Reveal Hybrid</b>	Scale: <b>Full</b>	Draw By: <b>WPS, Inc.</b>	




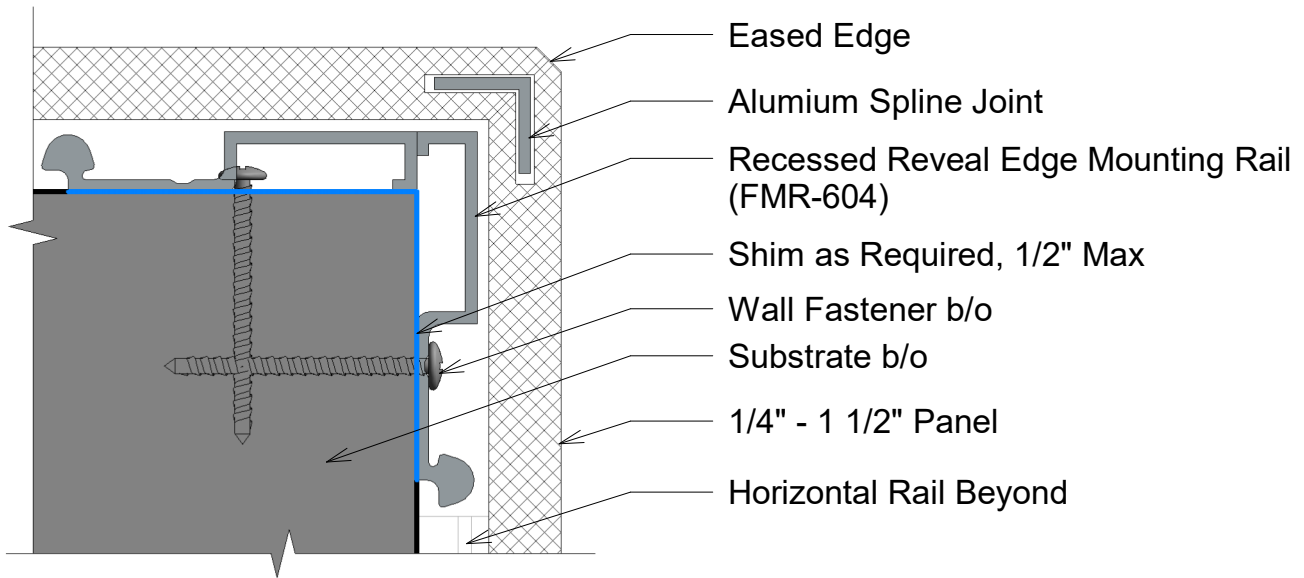
① Plan View - H.1  
12" = 1'-0"



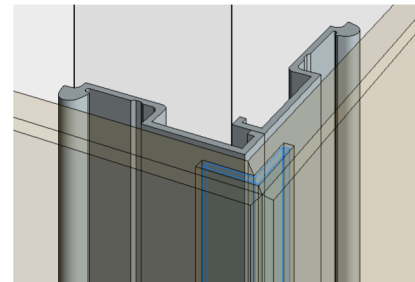
② FMR-604 (H.1)  
Outside Corner Option

Glass	1/4" - 1/2"
Fiber Glass	1/2"
Laminate	3/4" - 1 1/2"
Porcelain	3/4"
Phenolic	5/16" - 1/2"

Title: <b>Outside Corner Option</b>		View: <b>Plan</b>	Date: <b>03/18/22</b>	 <b>Wall Panel Systems, Inc.</b> Tel: 877-333-4WPS support@wpsusa.com Web: www.wpsusa.com © 2016 Wall Panel Systems Inc.
Detail: <b>H.1</b>	System Type: <b>Recessed Reveal Hybrid</b>	Scale: <b>Full</b>	Draw By: <b>WPS, Inc.</b>	




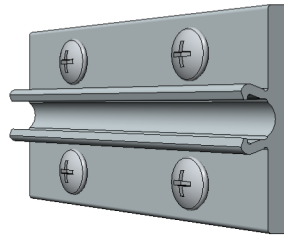
1 Plan View - H.2  
12" = 1'-0"



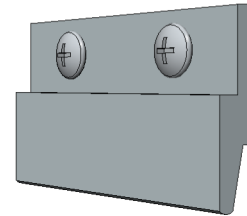
2 FMR-604 (H.2)  
Mitered Outside Corner

Glass	1/4" - 1/2"
Fiber Glass	1/2"
Laminate	3/4" - 1 1/2"
Porcelain	3/4"
Phenolic	5/16" - 1/2"

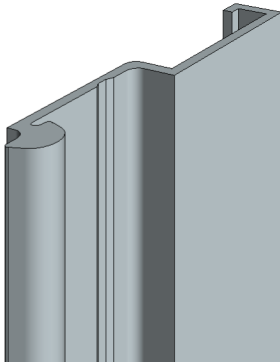
Title: <b>Outside Corner Miter</b>		View: <b>Plan</b>	Date: <b>03/18/22</b>	 <b>Wall Panel Systems, Inc.</b> Tel: 877-333-4WPS support@wpsusa.com Web: www.wpsusa.com © 2016 Wall Panel Systems Inc.
Detail: <b>H.2</b>	System Type: <b>Recessed Reveal Hybrid</b>	Scale: <b>Full</b>	Draw By: <b>WPS, Inc.</b>	



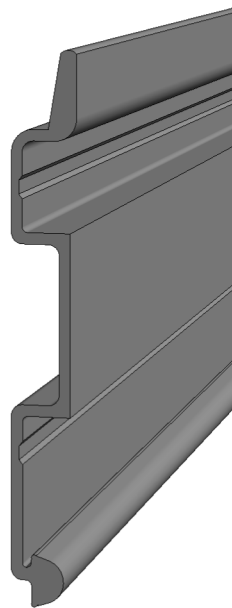
① **FMC-022 (U)**  
Panel Clip



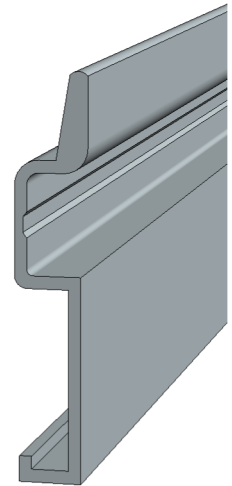
② **GEN-017 (U)**  
Panel Clip




③ **FMR-604 (U)**  
Vertical/Top Rail



④ **FMR-622.1 (U)**  
Horizontal Mounting Rail



⑤ **FMR-604.1 (U)**  
Bottom Rail

Title: <b>Parts List</b>		View: <b>3D</b>	Date: <b>03/18/22</b>	 <b>Wall Panel Systems, Inc.</b> Tel: 877-333-4WPS support@wpsusa.com Web: www.wpsusa.com © 2010 Wall Panel Systems Inc.
Detail: <b>U</b>	System Type: <b>Recessed Reveal Hybrid</b>	Scale: <b>N/A</b>	Draw By: <b>WPS, Inc.</b>	